

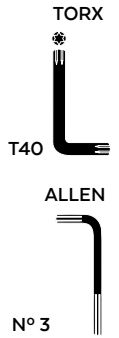
HONDA CB1000R '18- / CB650R '19-



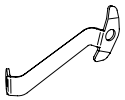
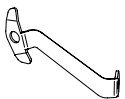


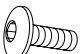


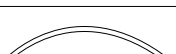


REF 9803

**ALUMINUM
FRONT PLATE**

REF 9768

**ABS
FRONT PLATE**



| ID. | PIEZA / PART | DESCRIPCIÓN | DESCRIPTION | QTY. | REF.: |
|-----|---|--|---|------|-----------------|
| 1 |  | Placa frontal ABS | ABS front plate | 1 | 10526J/C |
| |  | Placa frontal Al | Al front plate | | 9807P/N |
| 2 |  | Soporte izquierdo | Left support | 1 | SOPOR-2P-2-9768 |
| 3 |  | Soporte derecho | Right support | 1 | SOPOR-2P-2-9768 |
| 4 |  | Silentblock M5 | M5 silentblock | 2 | SILENBTM5-046/1 |
| 5 |  | Arandela nylon M5x1 | M5x1 nylon washer | 2 | ARNV0000000245 |
| 6 |  | Tornillo allen M5x16 Ø11 ISO 7380 (INOX) | M5x16 Ø11 ISO 7380 allen screw (INOX) | 2 | TORNI-IA----423 |
| 7 |  | Tapón Tornillo M5 | M5 screw cap | 2 | TAPON-----85 |
| 8 |  | Separador de silicona Ø8 x2 (Se suministra montado con pieza 1/2) | Ø8 x2 silicon spacers (Applied) | 4 | ADHESI-GT-D8--- |
| 9 |  | Ribete autoadhesivo longitud de 190mm, 6,2mm x 2,6mm *SOLO PARA PLACA FRONTAL ALUMINIO (REF:9807) | Selft-autoadhesive trim lenght 190mm, 6,2mm x 2,6mm *ONLY FOR ALUMINUM FRONT PLATE (REF:9807) | 1 | RIBETETP---0900 |
| 10 |  | Tornillo allen M5x16 Ø11 ISO 7380 | M5x16 Ø11 ISO 7380 allen screw | 2 | TORNI-I7380-493 |
| 11 |  | Kit adhesivos https://www.youtube.com/watch?v=IxEdLZ58qg | Stickers set https://www.youtube.com/watch?v=IxEdLZ58qg | 1 | 10535 |

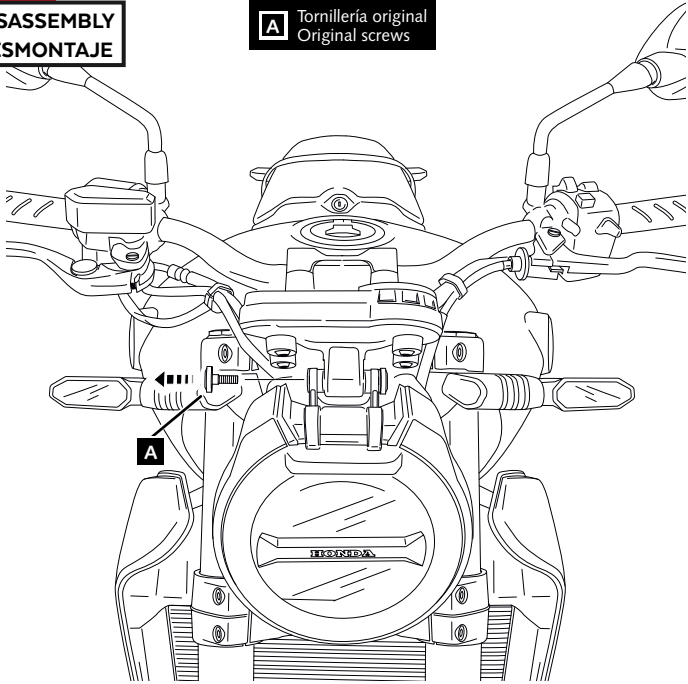
HONDA CB1000R '18- / CB650R '19-

INSTRUCCIONES DE MONTAJE - MOUNTING INSTRUCTIONS - MONTAGEANLEITUNG

1

**DISASSEMBLY
DESMONTAJE**

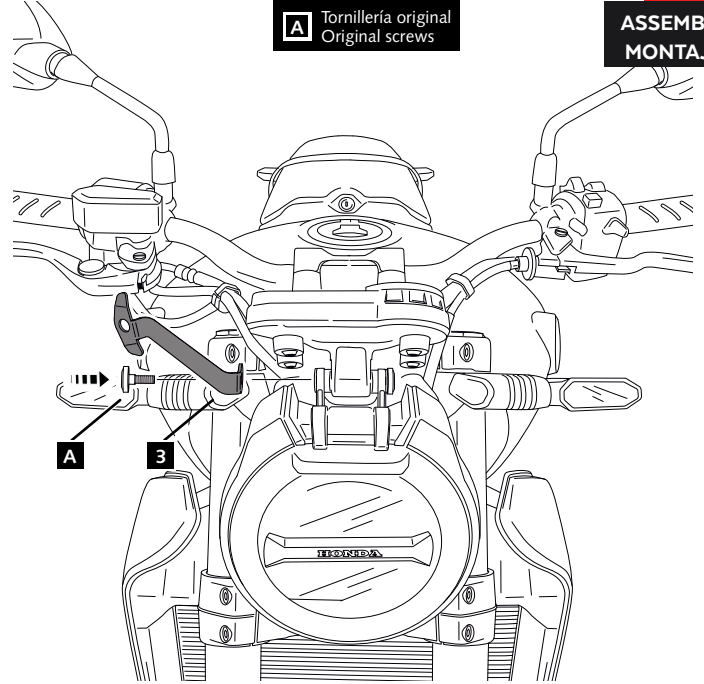
A Tornillería original
Original screws



2

**ASSEMBLY
MONTAJE**

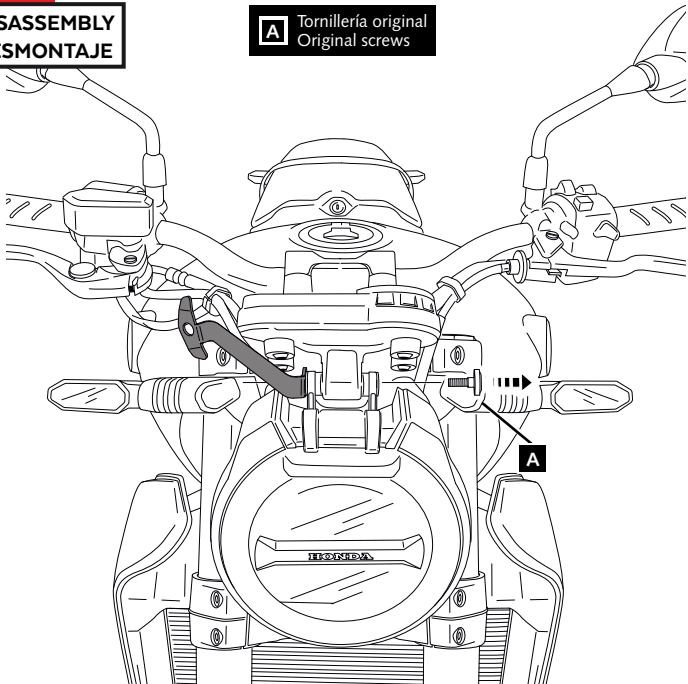
A Tornillería original
Original screws



3

**DISASSEMBLY
DESMONTAJE**

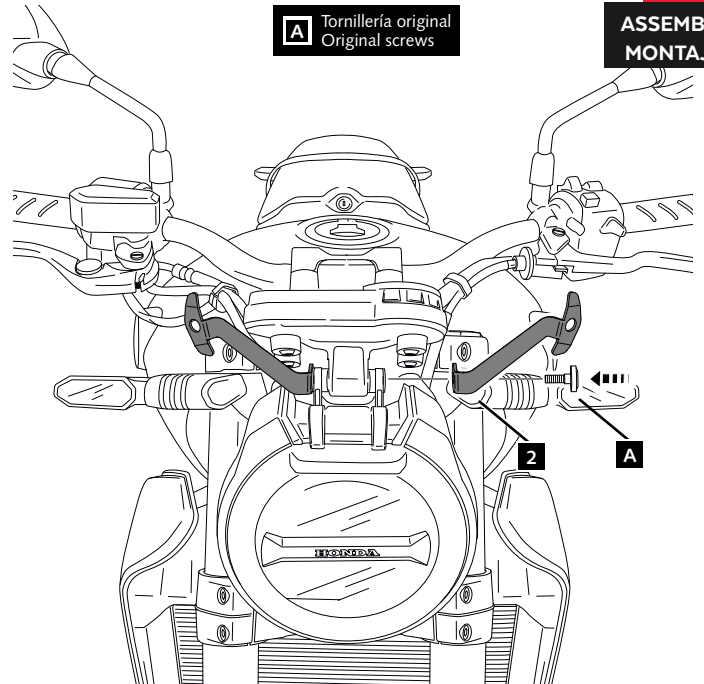
A Tornillería original
Original screws



4

**ASSEMBLY
MONTAJE**

A Tornillería original
Original screws

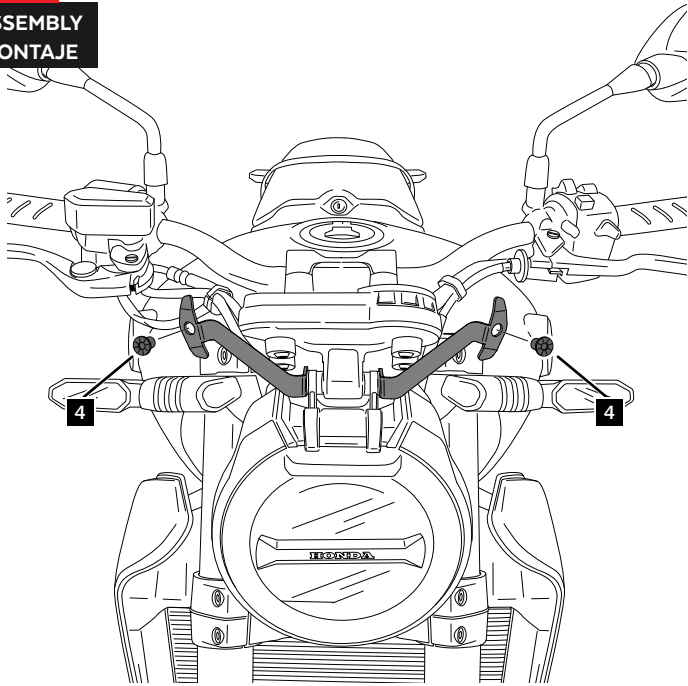


HONDA CB1000R '18- / CB650R '19-

INSTRUCCIONES DE MONTAJE - MOUNTING INSTRUCTIONS - MONTAGEANLEITUNG

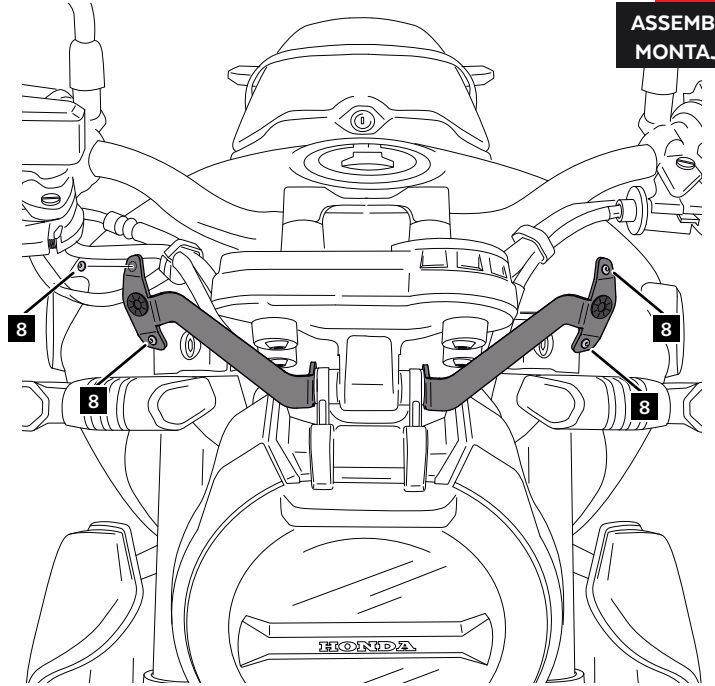
5

ASSEMBLY
MONTAJE



6

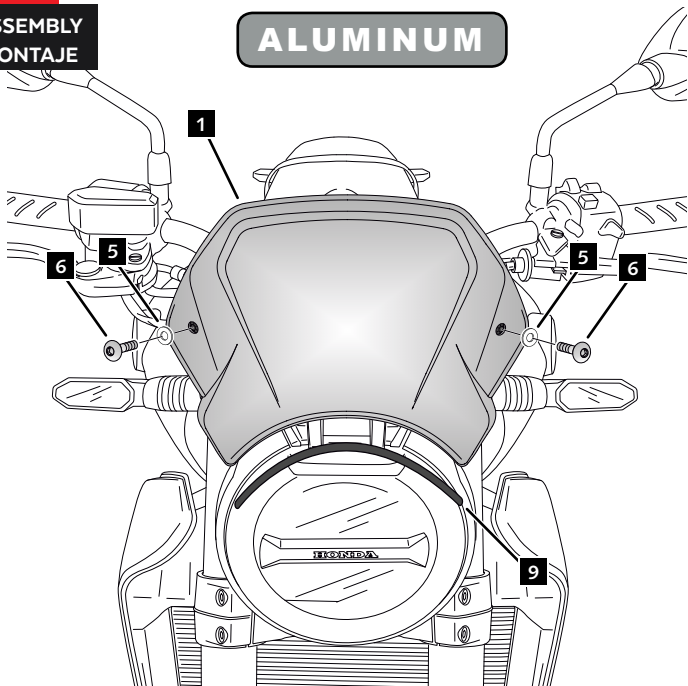
ASSEMBLY
MONTAJE



7

ASSEMBLY
MONTAJE

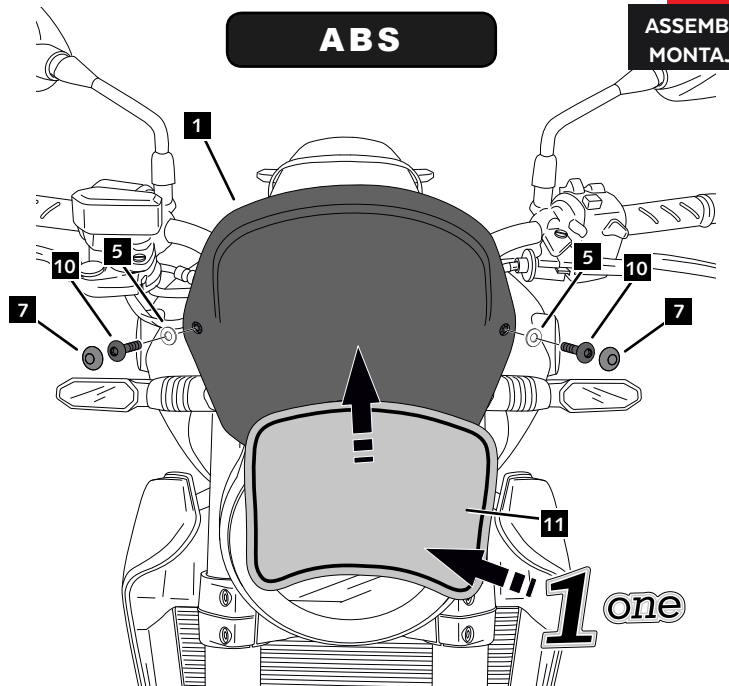
ALUMINUM



8

ASSEMBLY
MONTAJE

ABS



ID11 SOLO SE SUMINISTRA CON PLACA FRONTAL ABS
ONLY SUPPLIED WITH ABS FRONT PLATE