

HONDA CB125R '18 - / CB300R '18 -

REF 9734

CARENABRÍS / WINDSHIELD / WINDSCHUTZSCHEIBE
NAKED NEW GENERATION



ALLEN



N° 5
N° 4
N° 3

| ID. | PIEZA / PART | DESCRIPCIÓN | DESCRIPTION | QTY. | REF.: |
|-----|--------------|----------------------------------|-------------------------------|------|-----------------|
| 1 | | Cúpula Sport | Sport screen | 1 | 10639F/H/N/WM3 |
| 2 | | Soporte izquierdo | Left support | 1 | SOPOR-2P-8-9734 |
| 3 | | Soporte derecho | Right support | 1 | SOPOR-2P-8-9734 |
| 4 | | Casquillo Ø8xØ13x12 | Ø8xØ13x12 bush | 2 | CASQUI-M----769 |
| 5 | | Tornillo allen M5x30 Ø11 ISO7380 | M5x30 Ø11 ISO7380 allen screw | 2 | TORNI-I7380-767 |
| 6 | | Casquillo Ø8,5xØ14x22 | Ø8,5xØ14x22 bush | 2 | CASQUI-----150 |
| 7 | | Tornillo allen M5x40 Ø11 ISO7380 | M5x40 Ø11 ISO7380 allen screw | 2 | TORNI-I7380-774 |
| 8 | | Silentblock M5 | M5 silentblock | 4 | SILENBTM5-046/1 |
| 9 | | Arandela nylon M5x1 | M5x1 nylon washer | 4 | ARNV0000000245 |
| 10 | | Tornillo allen M5x16 Ø11 ISO7380 | M5x16 Ø11 ISO7380 allen screw | 4 | TORNI-I7380-493 |
| 11 | | Tapón tornillo M5 ISO7380 | M5 ISO7380 screw cap | 4 | TAPON-----85 |

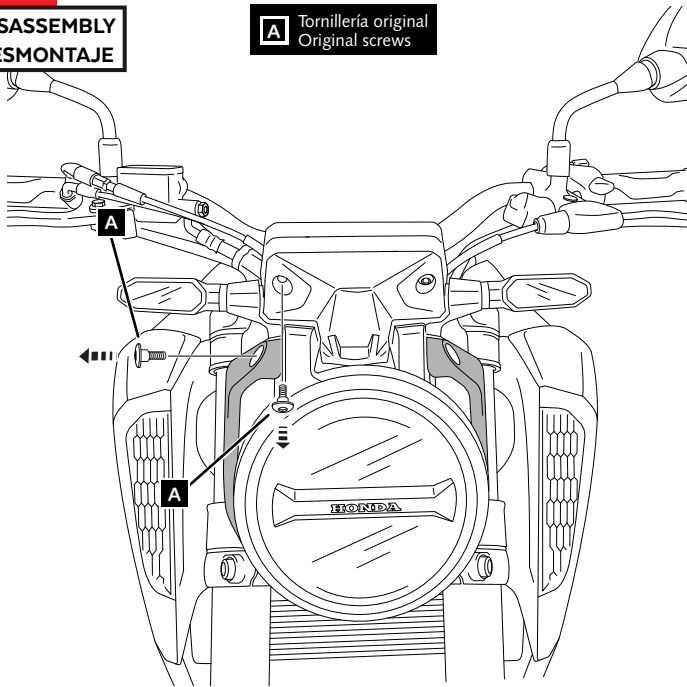
HONDA CB125R '18 - / CB300R '18 -

INSTRUCCIONES DE MONTAJE - MOUNTING INSTRUCTIONS - MONTAGEANLEITUNG

1

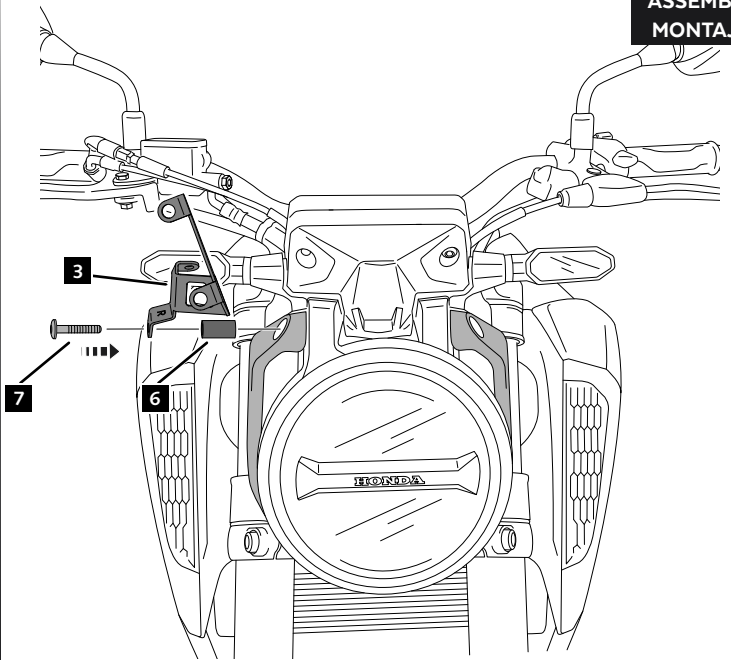
**DISASSEMBLY
DESMONTAJE**

A Tornillería original
Original screws



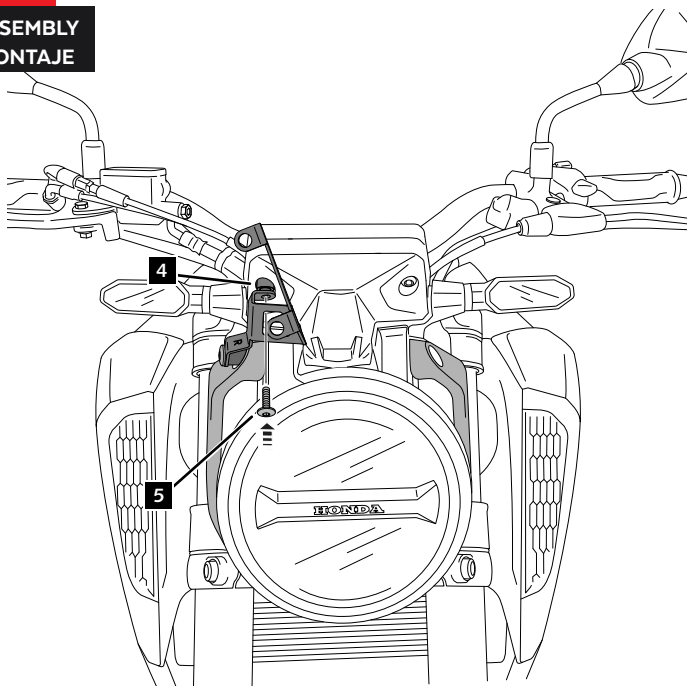
2

**ASSEMBLY
MONTAJE**



3

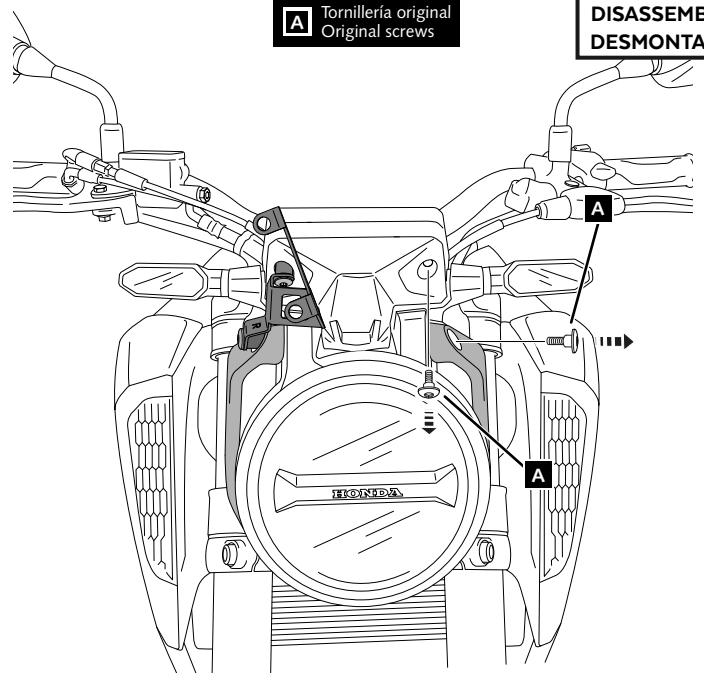
**ASSEMBLY
MONTAJE**



4

A Tornillería original
Original screws

**DISASSEMBLY
DESMONTAJE**

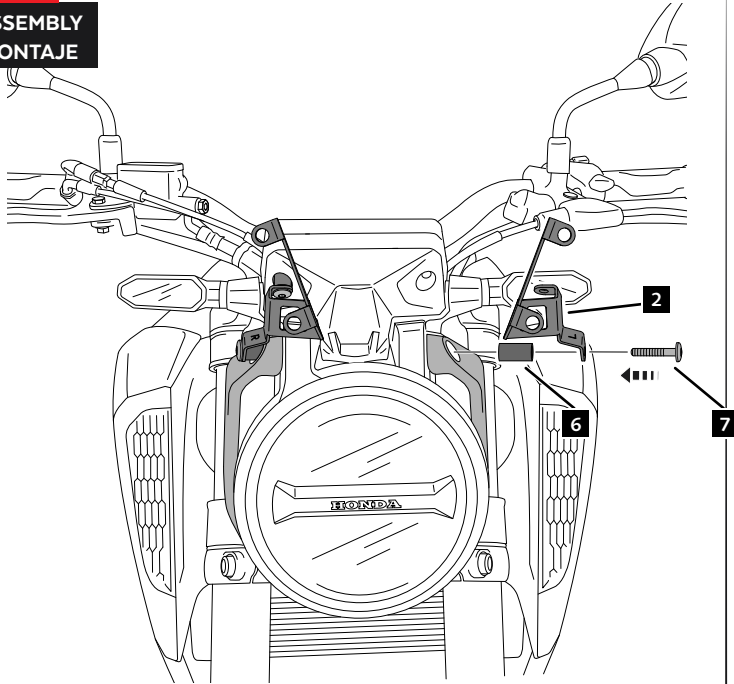


HONDA CB125R '18 - / CB300R '18 -

INSTRUCCIONES DE MONTAJE - MOUNTING INSTRUCTIONS - MONTAGEANLEITUNG

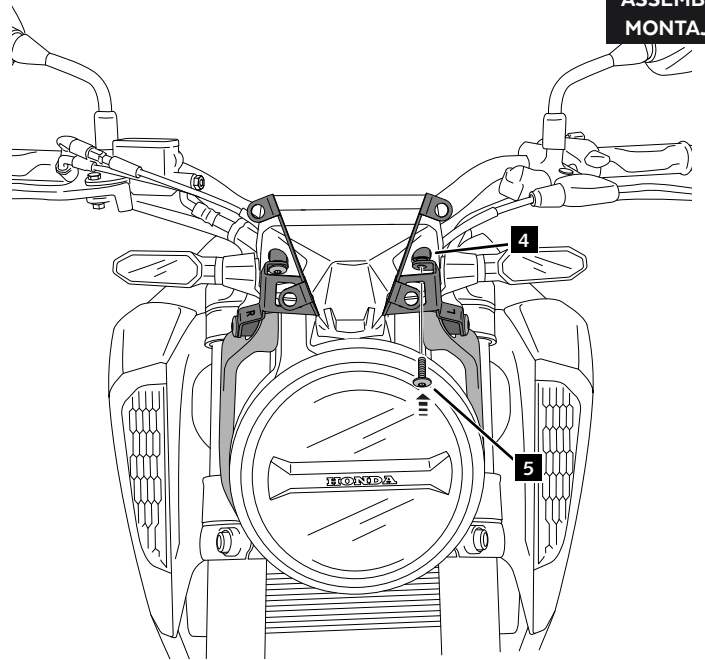
5

ASSEMBLY
MONTAJE



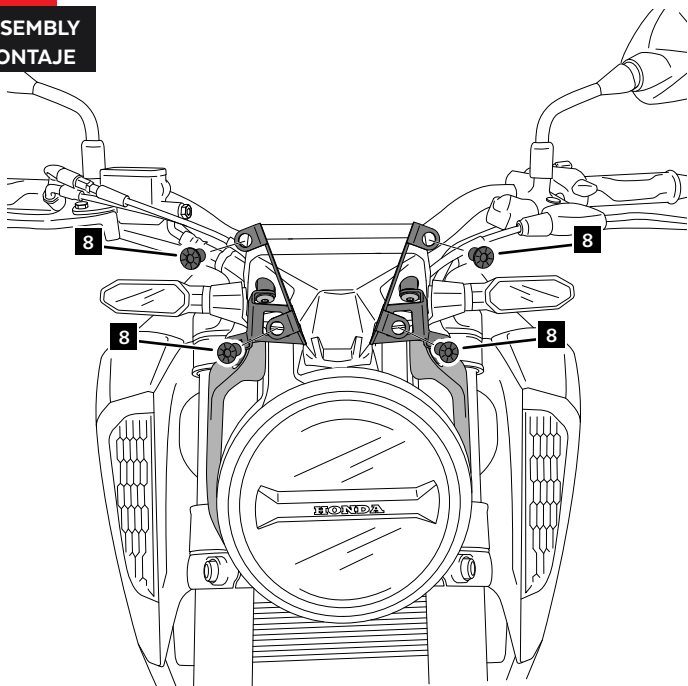
6

ASSEMBLY
MONTAJE



7

ASSEMBLY
MONTAJE



8

ASSEMBLY
MONTAJE

