

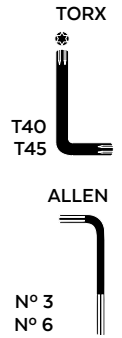
BMW R NINE-T SCRAMBLER


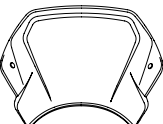
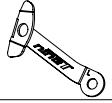
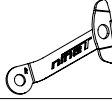


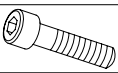
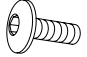


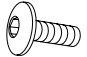



REF 9797

**ALUMINUM
FRONT PLATE**

REF 9252

**ABS
FRONT PLATE**



ID.	PIEZA / PART	DESCRIPCIÓN	DESCRIPTION	QTY.	REF.:
1		Placa frontal ABS	ABS front plate	1	10526J/CM3
		Placa frontal ALUMINIO	ALUMINUM front plate		9807P/N
2		Soporte izquierdo	Left support	1	SOPOR-2P-1-9252
3		Soporte derecho	Right support	1	SOPOR-2P-1-9252
4		Silentblock M5	M5 silentblock	2	SILENBTM5-046/1
5		Casquillo Ø8,5xØ14x9mm	Ø8,5xØ14x9mm spacer	2	CASQUI____0100
6		Tornillo allen M8x35 DIN 912	M8x35 DIN 912 allen screw	2	TORNI-AD912-196
7		Tornillo allen M5x16 Ø11 ISO 7380	M5x16 Ø11 ISO 7380 allen screw	2	TORNI-I7380-493
8		Arandela nylon M5x1	M5x1 nylon washer	2	ARNV0000000245
9		Tapón Tornillo M5	M5 screw cap	2	TAPON-----85
10		Tornillo allen M5x16 Ø11 ISO 7380 (INOX)	M5x16 Ø11 ISO 7380 allen screw (INOX)	2	TORNI-IA----423
11		Separador de silicona Ø8 x2 (Se suministra montado con pieza 2/3)	Ø8 x2 silicon spacers (Supplied mounted on items 2/3)	4	ADHESI-GT-D8---
12		Ribete autoadhesivo longitud de 190mm, 6,2mm x 2,6mm	Selft-autoadhesive trim lenght 190mm, 6,2mm x 2,6mm	1	PERFIL-PVC-1048
13		Kit adhesivos https://www.youtube.com/watch?v=IxEcdLZ58qg	Stickers set https://www.youtube.com/watch?v=IxEcdLZ58qg	1	10535

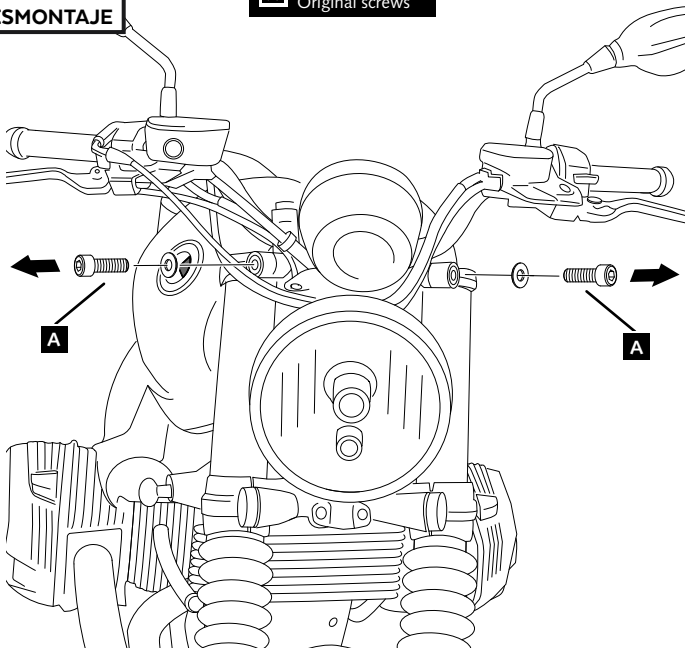
BMW R NINE-T SCRAMBLER

INSTRUCCIONES DE MONTAJE - MOUNTING INSTRUCTIONS - MONTAGEANLEITUNG

1

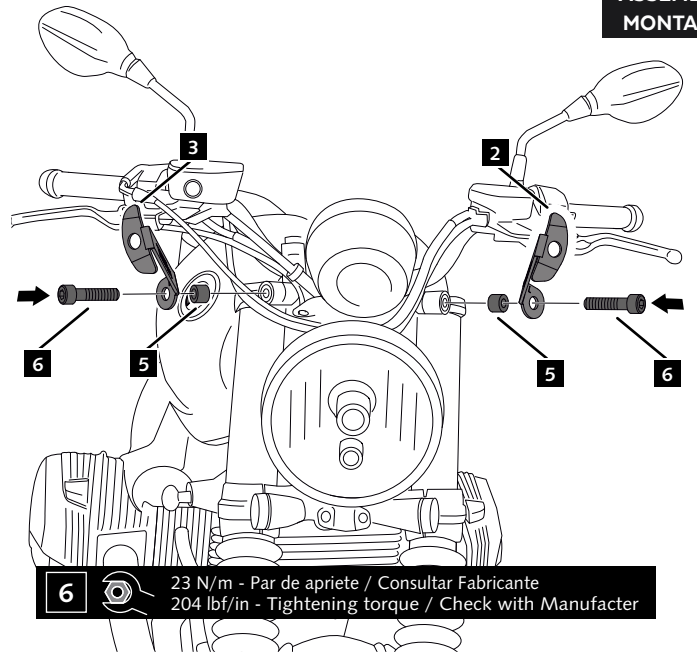
**DISASSEMBLY
DESMONTAJE**

A Tornillería original
Original screws



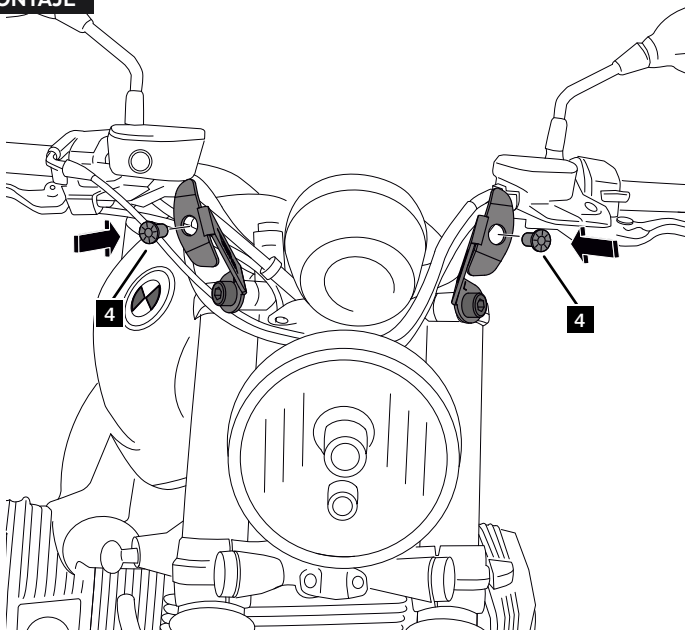
2

**ASSEMBLY
MONTAJE**



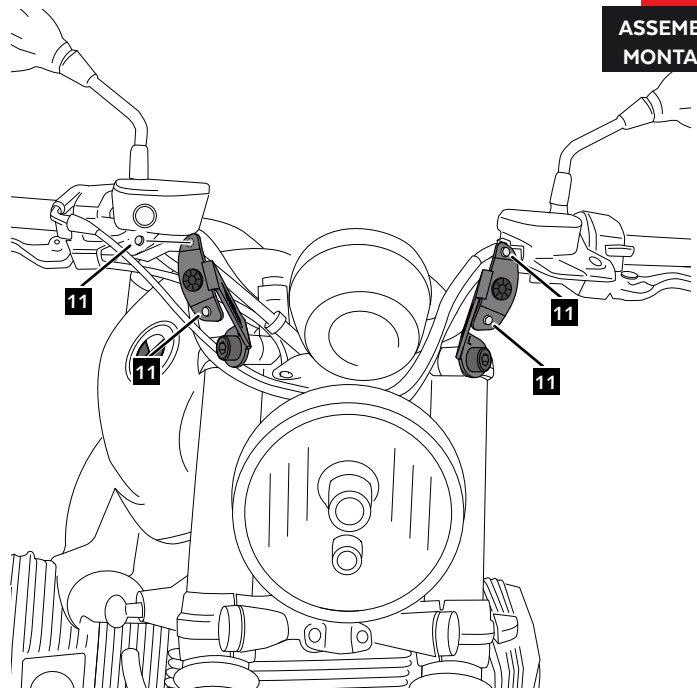
3

**ASSEMBLY
MONTAJE**



4

**ASSEMBLY
MONTAJE**

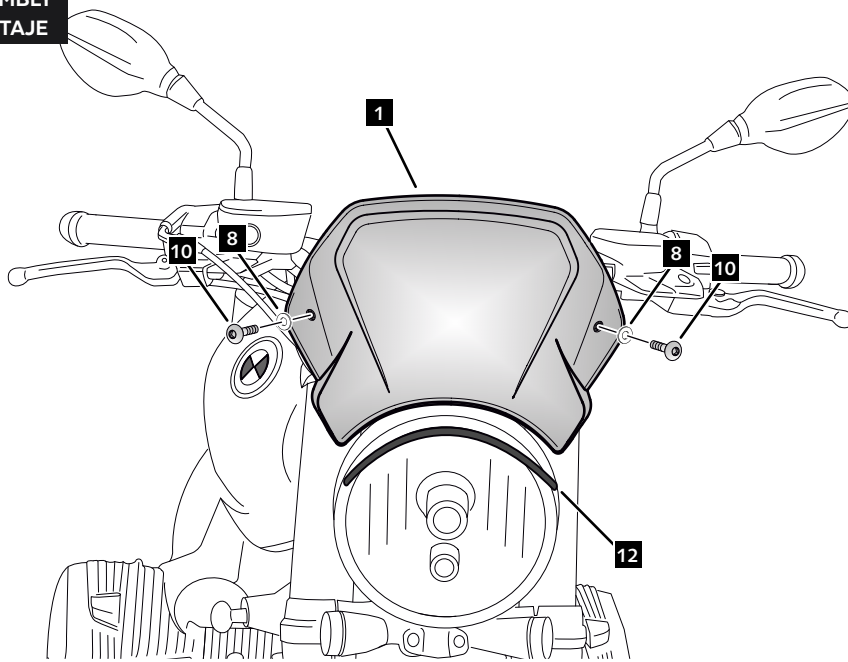


BMW R NINE-T SCRAMBLER

INSTRUCCIONES DE MONTAJE - MOUNTING INSTRUCTIONS - MONTAGEANLEITUNG

5

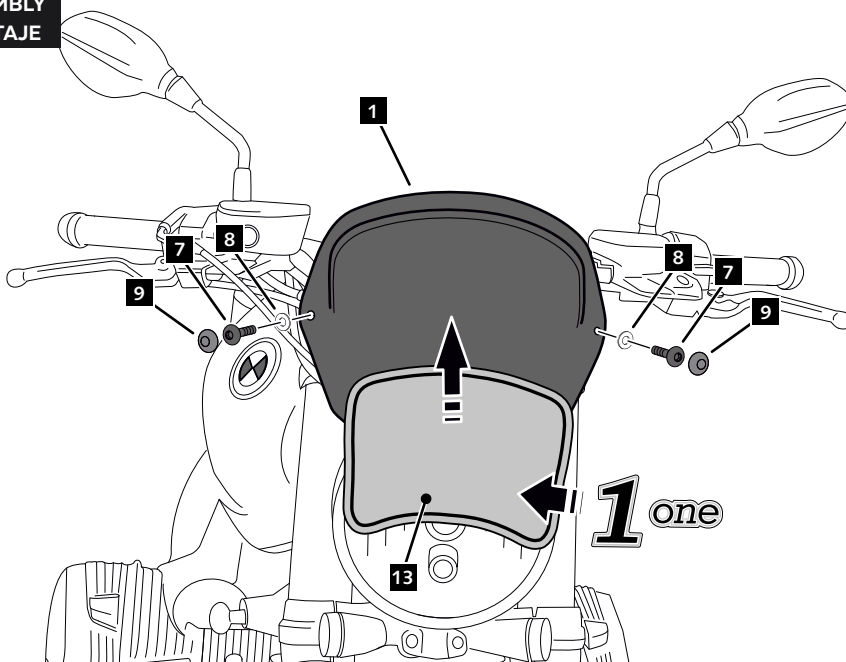
ASSEMBLY
MONTAJE



ALUMINUM

6

ASSEMBLY
MONTAJE



ABS

ID13 SOLO SE SUMINISTRA CON PLACA FRONTAL ABS
ONLY SUPPLIED WITH ABS FRONT PLATE