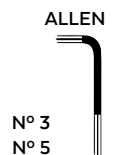


HONDA CB500X '16-

M O U N T I N G I N S T R U C T I O N S

REF 8901

CÚPULA TOURING / TOURING SCREEN / TOURENCHIEBE



ID.	PIEZA/PART	DESCRIPCIÓN	DESCRIPTION	QTY.	REF.:
1		Cúpula TOURING	TOURING screen	1	8901A/F/H/N/R/WM3
2		Tuerca grafilada M5	M5 graffilated nut	4	TUERC-D6923-255
3		Arandela metálica M5 DIN 9021 Ø5,3x Ø15 x1,2 (Negra)	M5 DIN 9021 Ø5,3x Ø15 x1,2 metallic washer (Black)	4	ARAND-PD5---152
4		Arandela de goma Ø4,5 x Ø14 x 4mm	Ø4,5 x Ø14 x 4mm rubber washer	4	ARAND-GDI3D5X4-
5		Arandela nylon M5x1	M5x1 nylon washer	4	ARNV0000000245
6		Tornillo Especial M5x13 + Rosca interior M5x8	Special screw M5x13 + interior thread M5x8	4	TORNI-EM5---514
7		Tornillo allen M5x11 Ø11 ISO 7380	M5x11 Ø11 ISO 7380 allen screw	4	TORNI-AI----520
8		Tapón tornillo M5 ISO 7380	M5 ISO 7380 screw cap	4	TAPON-----85

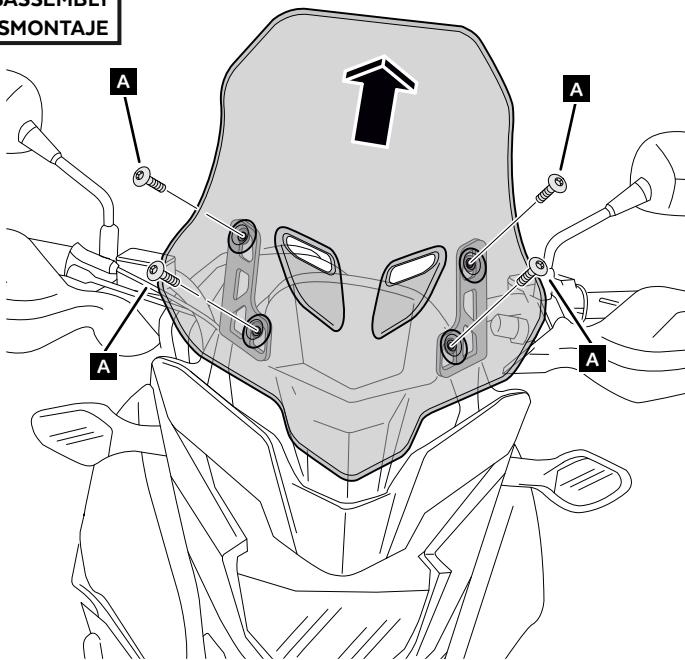
HONDA CB500X '16-

INSTRUCCIONES DE MONTAJE - MOUNTING INSTRUCTIONS - MONTAGEANLEITUNG

1

DISASSEMBLY
DESMONTAJE

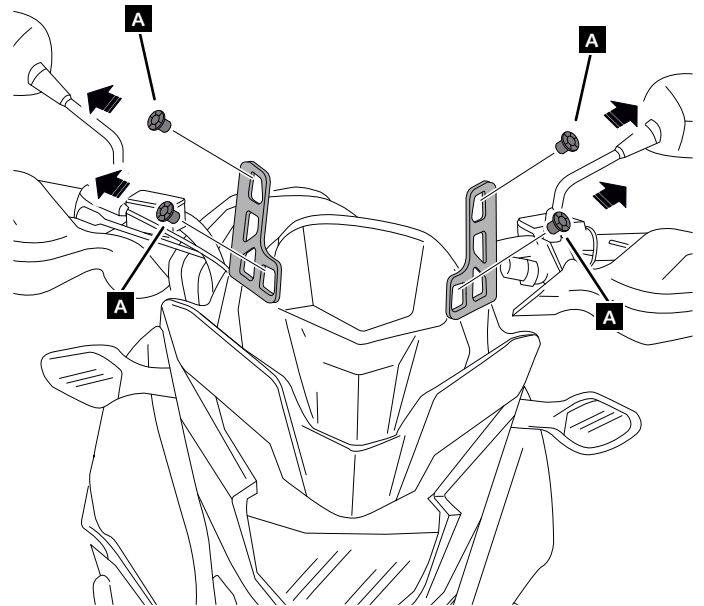
A Cargoleria original
Original screw



2

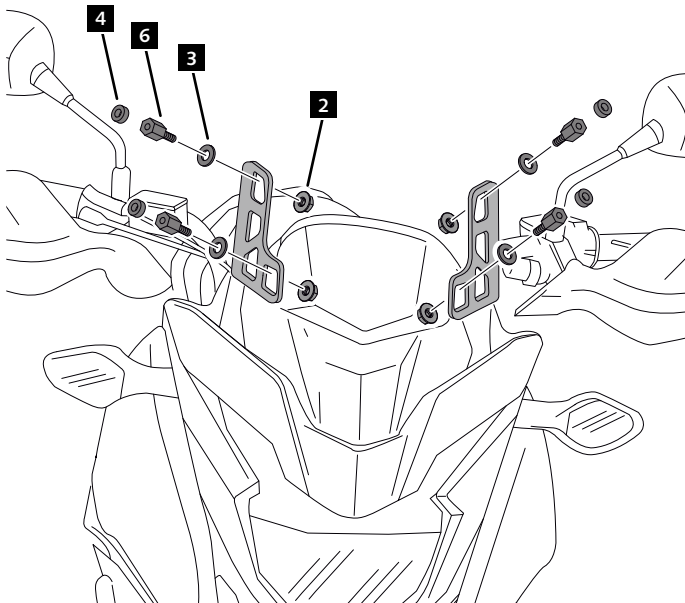
DISASSEMBLY
DESMONTAJE

A Cargoleria original
Original screw



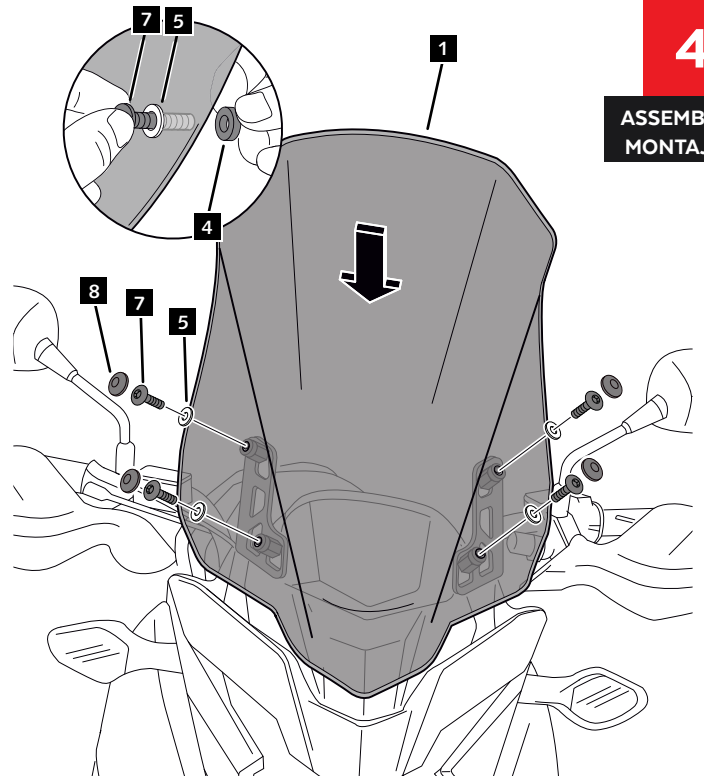
3

ASSEMBLY
MONTAJE



4

ASSEMBLY
MONTAJE



VISERA MULTIREGULABLE MULTI-ADJUSTABLE VISOR

CÚPULA TIPO
TYPE WINDSCREEN **A**



CÚPULA TIPO
TYPE WINDSCREEN **B**



CÚPULA TIPO
TYPE WINDSCREEN **C**



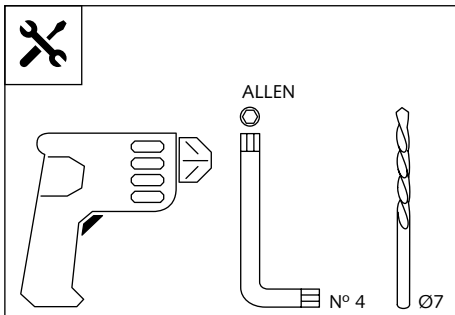
Ref.: 6007

Ref.: 5852

Ref.: 5853

Ahumado/Smoke

Transparente/Clear



1 persona
1 person



15 min

Fácil - Easy

Media-Intermediate

Difícil-Difficult

Nota/Note:

Si la visera se suministra con la cúpula Puig, no será necesario realizar los agujeros por que ya vienen incorporados.

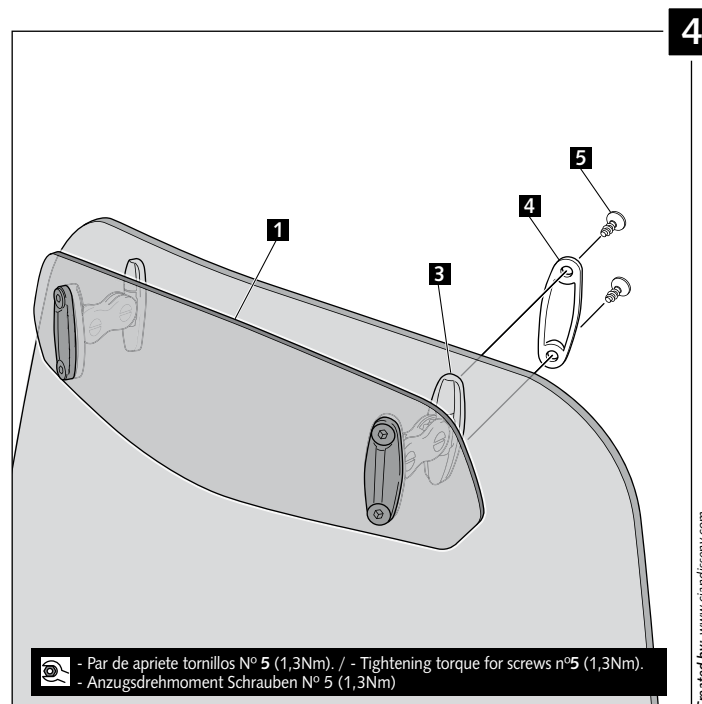
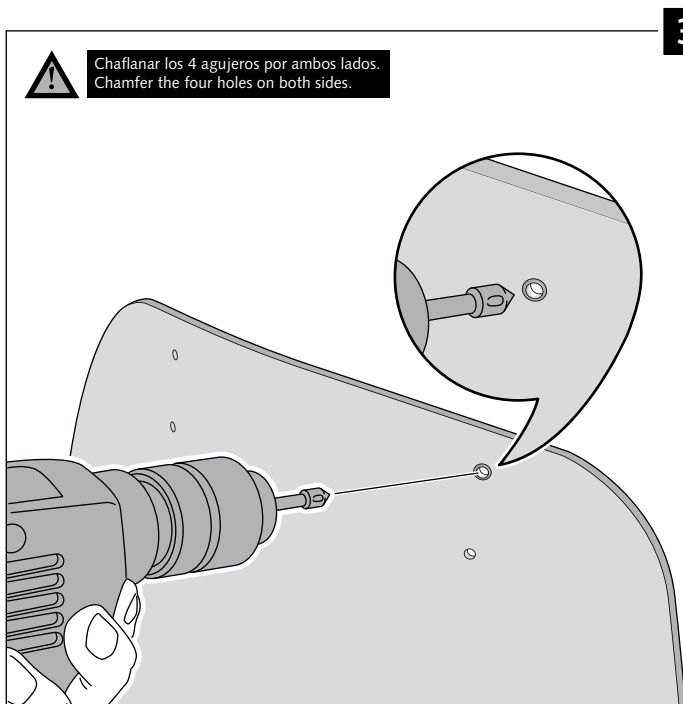
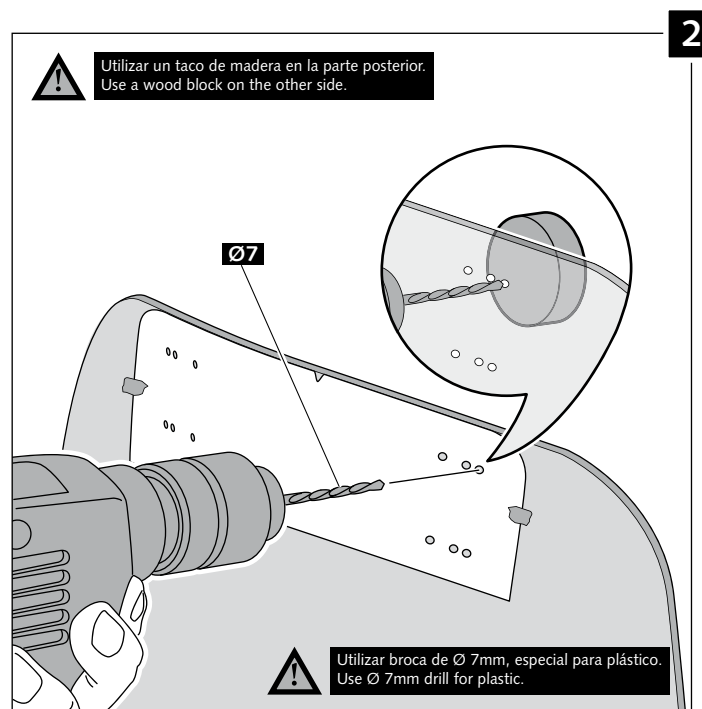
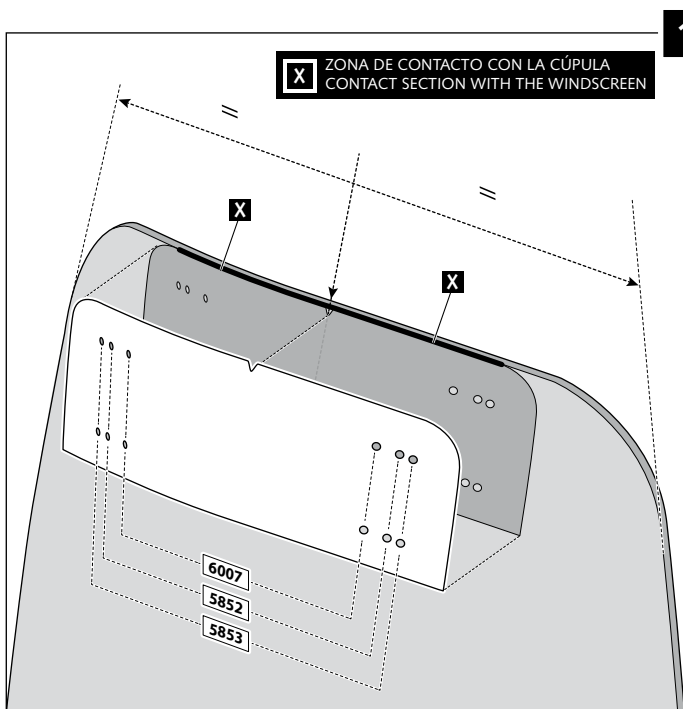
If the visor is supplied along with the windscreen, the windscreen will come factory-drilled so no drilling is necessary.

ID.	PIEZA / PART	DESCRIPCIÓN	DESCRIPTION	QTY.
1		Visera	Visor	1
2		Plantilla	Template	1
3		Mecanismo multiregulable	Multi-adjustable mechanism	2
4		Tapeta	Cap	4
5		Tornillo rosca plástico M6x12	Plastic thread fastener M6x12	8

VISERA MULTIREGULABLE MULTI-ADJUSTABLE VISOR

INSTRUCCIONES DE MONTAJE - MOUNTING INSTRUCTIONS - MONTAGEANLEITUNG

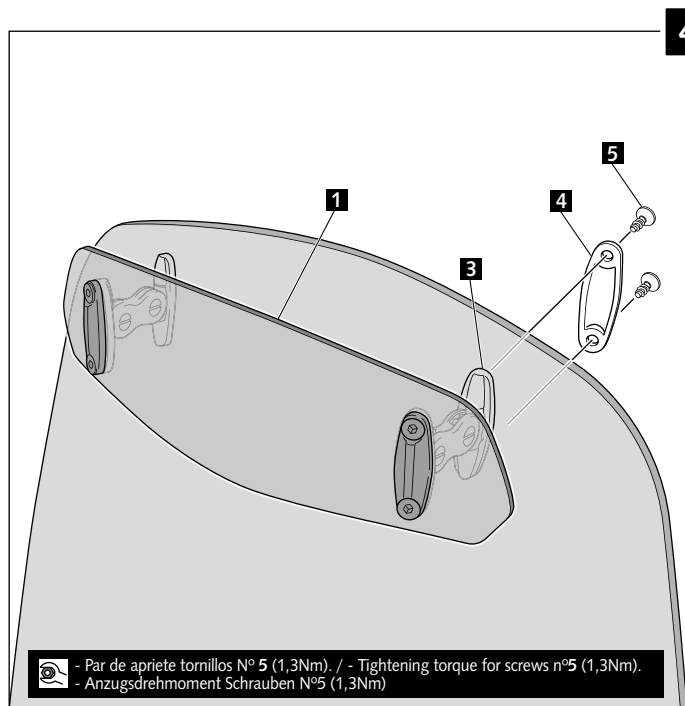
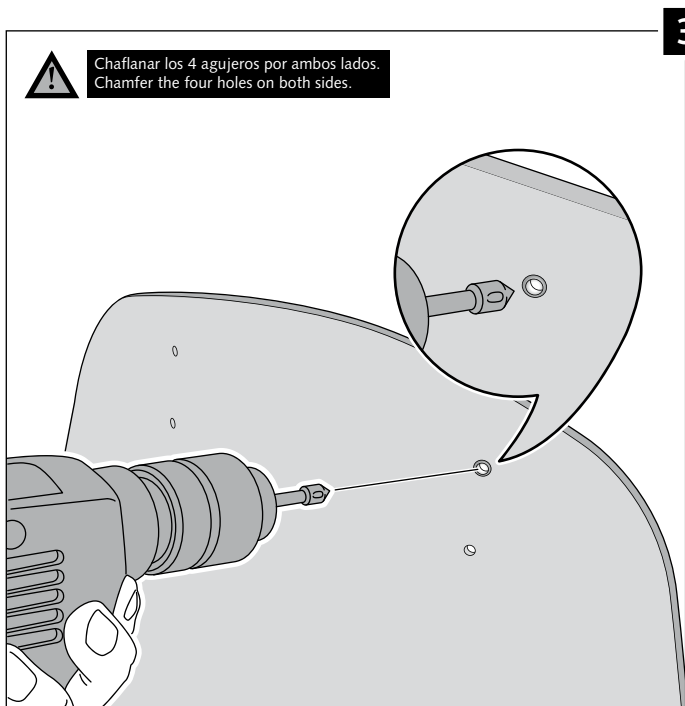
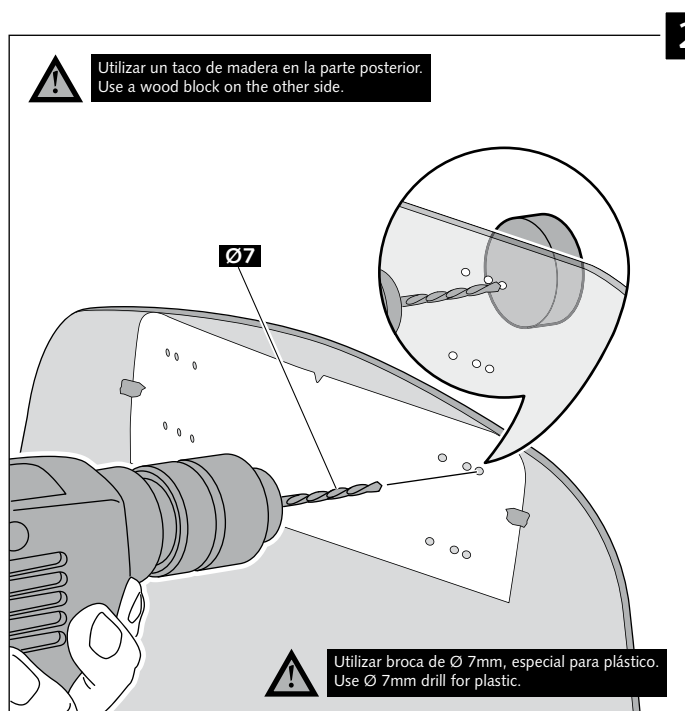
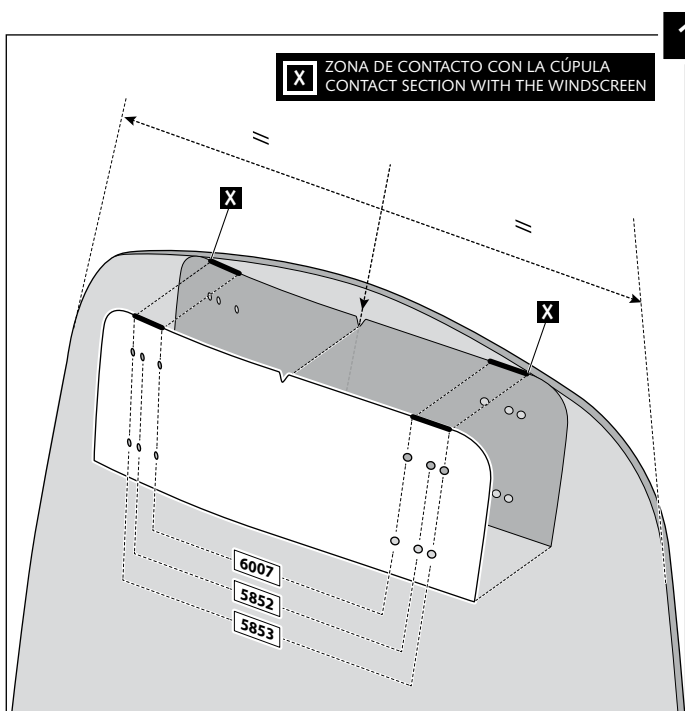
TIPO/TYPER A - TIPO/TYPER A - TIPO/TYPER A



VISERA MULTIREGULABLE MULTI-ADJUSTABLE VISOR

INSTRUCCIONES DE MONTAJE - MOUNTING INSTRUCTIONS - MONTAGEANLEITUNG

TIPO/TYPE B - TIPO/TYPE B - TIPO/TYPE B



VISERA MULTIREGULABLE MULTI-ADJUSTABLE VISOR

INSTRUCCIONES DE MONTAJE - MOUNTING INSTRUCTIONS - MONTAGEANLEITUNG

TIPO/TYPER C - TIPO/TYPER C - TIPO/TYPER C

