

MOTOPLASTIC, S.A.

Molí de la sal, 1 - 08403 Granollers (Barcelona) SPAIN

Tel. 34 93 849 06 33 - Fax 34 93 849 09 88

info@puig.tv - info@puigusa.com

www.puig.tv - www.puigusa.com

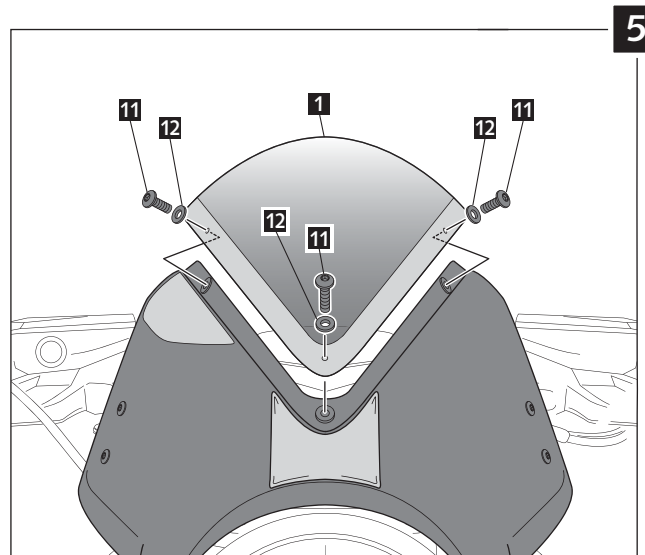
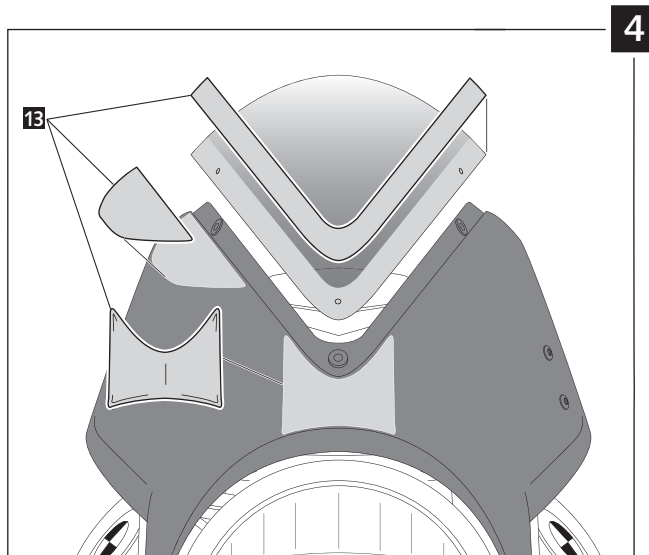
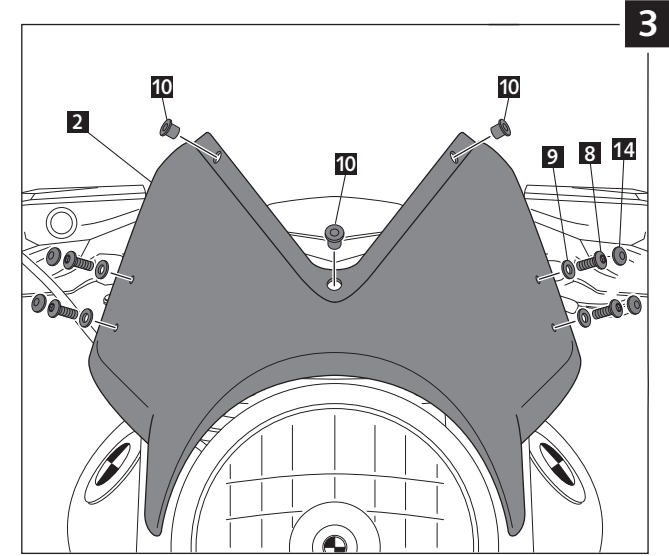
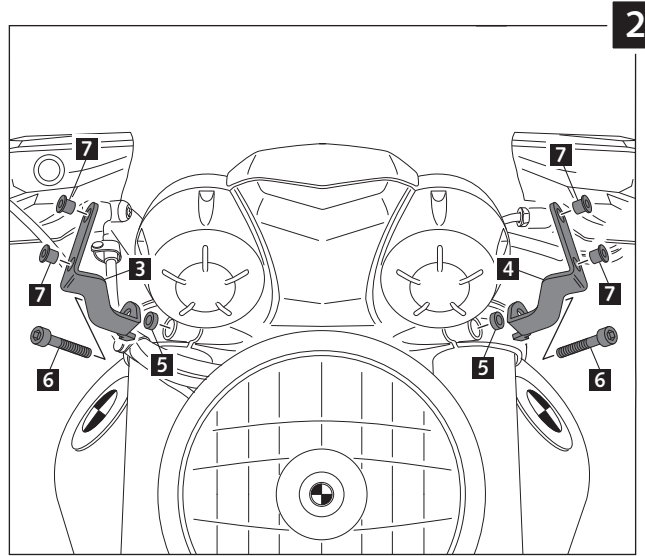
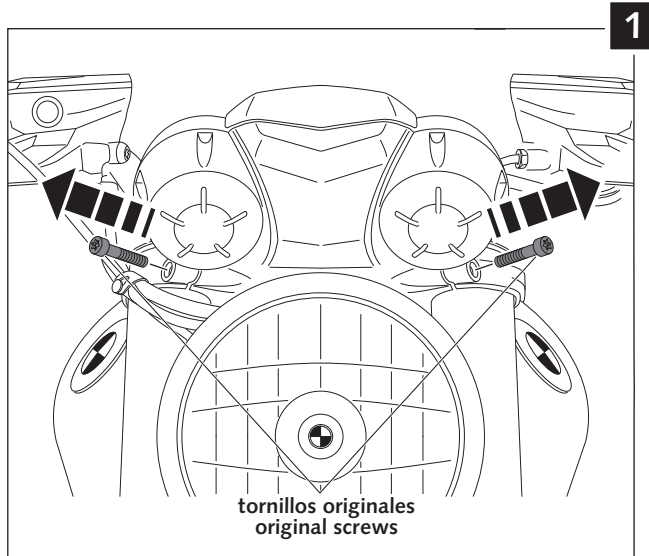
CÚPULA ADAPTABLE A – SCREEN FOR – WINDSCHUTZSCHEIBE FÜR BMW R NINE T

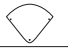




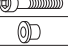
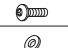
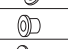
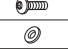




Mod. BLACK FAIRING

Ref.: 7012

Mod. CARBON FAIRING

Ref.: 7559



ID.	DESCRIPCIÓN / DESCRIPTION	QTY.
1	 Cúpula / Screen	1
2	 Carcasa / Fairing	1
3	 Soporte derecho / Right support	1
4	 Soporte izquierdo / Left support	1
5	 Casquillo Øint. 8,5 x Øext. 14x12 / Øinner 8,5 x Øouter 14x12 Arrowhead	2
6	 Tornillo Allen M8x40 DIN 912 / M8x40 DIN 912 Allen screw	2
7	 Silemblock M5 / M5 Silemblock	4
8	 Tornillo Allen M5x16 ISO 7380 / M5x16 ISO 7380 Allen screw	4
9	 Arandela Nylon M5x0,5 / M5x0,5 Nylon washer	4
10	 Silemblock M4 / M4 Silemblock	3
11	 Tornillo Allen M4x16 ISO 7380 / M4x16 ISO 7380 Allen screw	3
12	 Arandela Nylon M4x0,5 / M4x0,5 Nylon washer	3
13	 Adhesivos / Stickers	1
14	Tapón tornillo I7380 / I7380 Screw cap	4