

1

100 mm Radial Monobloc Caliper Kit M50 P4 30 Code 220A88510

Spare Parts • Ricambi

Spring / Molletta

120225579

Bleeding screw / Vite spurgo

05338752

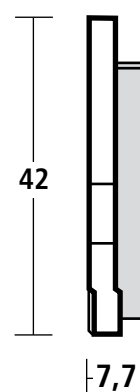
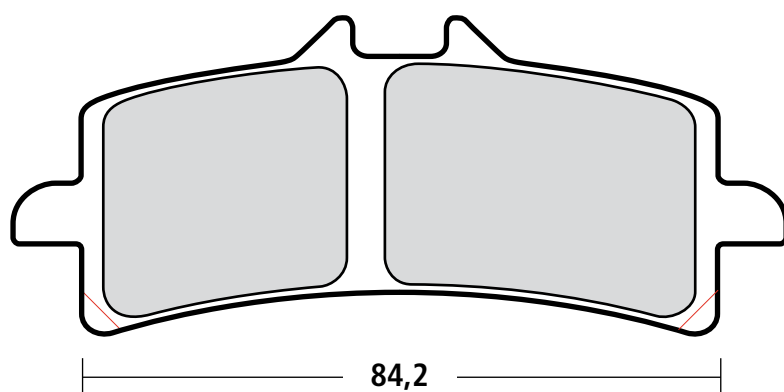
Bleeding screw cover / Cappuccio spurgo

05150220



Technical Characteristics • Caratteristiche Tecniche

Pistons / Pistoni Ø	30 mm.
Construction Material / Materiale	Casting Aluminium / Alluminio Fuso
Finishing / Finissaggio	Titanium Grey / Grigio Titanio
Weight (with pads) / Massa (con pastiglie)	930 gr.
Brake Fluid / Fluido Freni	DOT 4
Hardware / Viteria	Acciaio
Pistons / Pistoni	Aluminium / Alluminio
Center to Center / Interasse	100 mm.
Offset / Offset	30 mm.
Specific for OE, Brembo T-Drive and S.Sport Discs	Per Dischi Originali, Brembo T-Drive e S.Sport



Note: Th 7.9 for Z04/Z03

Pads • Pastiglie

Code	Performance	Life
07BB3793	•	•
Genuine		
07BB37RC	+	•
RC Compound		

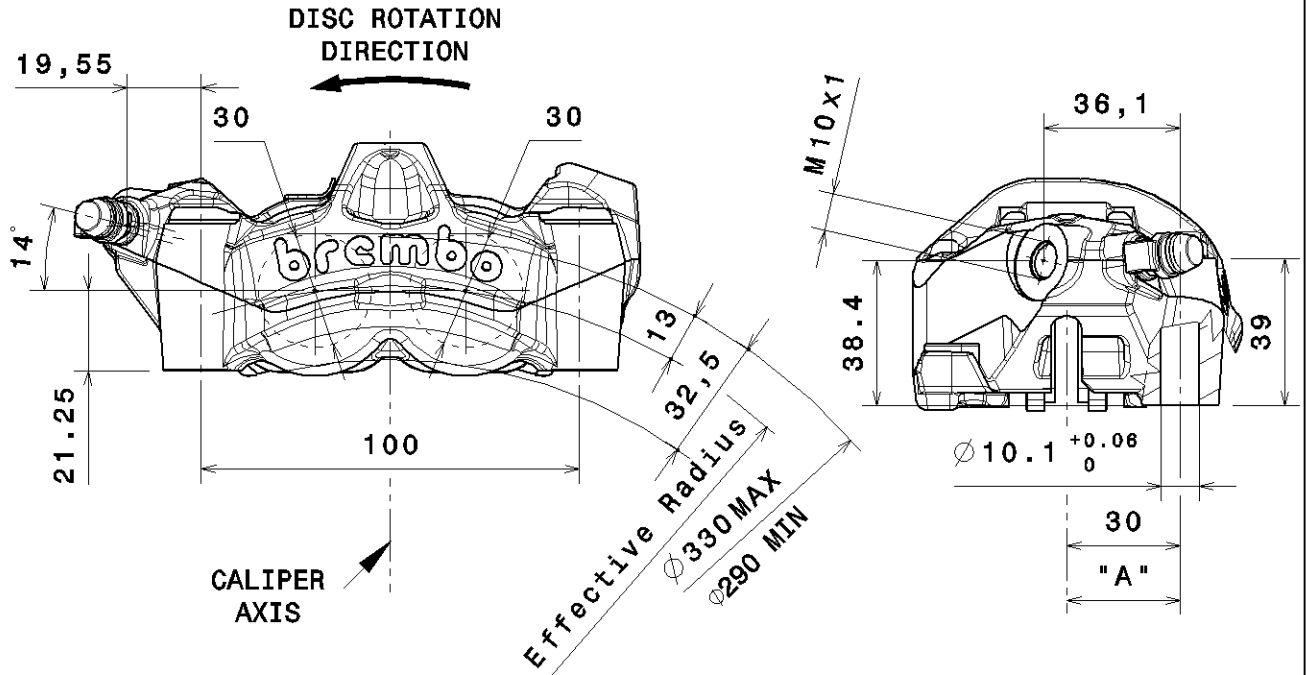
Pads • Pastiglie

Code	Performance	Life
M497Z04	++	+
Z04 Compound		
M497Z03	+	++
Z03 Compound		



FIXED CALIPER

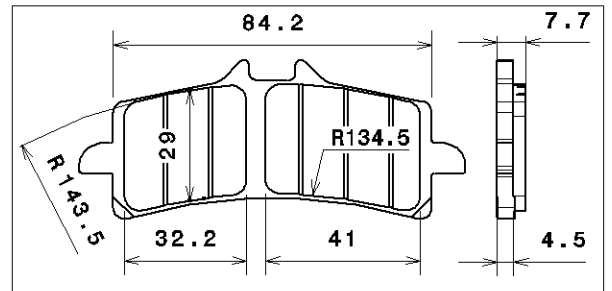
M4.30 a
20.A885.10
20



DESCRIPTION

Fixed caliper with 4 opposed pistons, made in a single body.
Construction material: Aluminium Alloy.
Operating fluid: brake fluid DOT4.
N.B: Drawing shows left side caliper.
Code 20.A885.10.
Code 20.A885.20 specular.
Mounting side behind the fork.

PADS SHAPE AND DIMENSIONS



TECHNICAL CHARACTERISTICS

Pistons number and diameter:	4 30 mm	Average pad surface (1 pad):	19.6 cm ²
MAX working pressure:	70 bar	Mass (with sintered pad):	0.930 Kg
'A' Disc position (TOLERANCE):	±1.40 mm		

CONFIGURATION

CHARACT CODE CALIPER	PADS FRICTION MATERIAL	BODY COLOUR	MOUNTING SIDE	USABLE DISCS THICKNESS	BRAKE FLUID FOR PADS WEAR
20.A885.10 20	TOSHIBA TT 2910 HH	GREY TITANIUM	SX DX	5.0 mm	8.9 cm ³

AVAILABLE SPARE PARTS

SPARE PARTS CODE CALIPER	PADS	BLEEDER SCREW	20 BOOTS	SPRING
20.A885.10 20	107.9882.30	105.3387.52	105.1502.20	120.2255.79

Indicating informations subject to modification.
For further specifications contact Technical Section.

LAST UPDATE: 14.02.11