

DUCATI PANIGALE V2 '20-
DUCATI PANIGALE V4 '18-

REF 21819N

M O U N T I N G I N S T R U C T I O N S



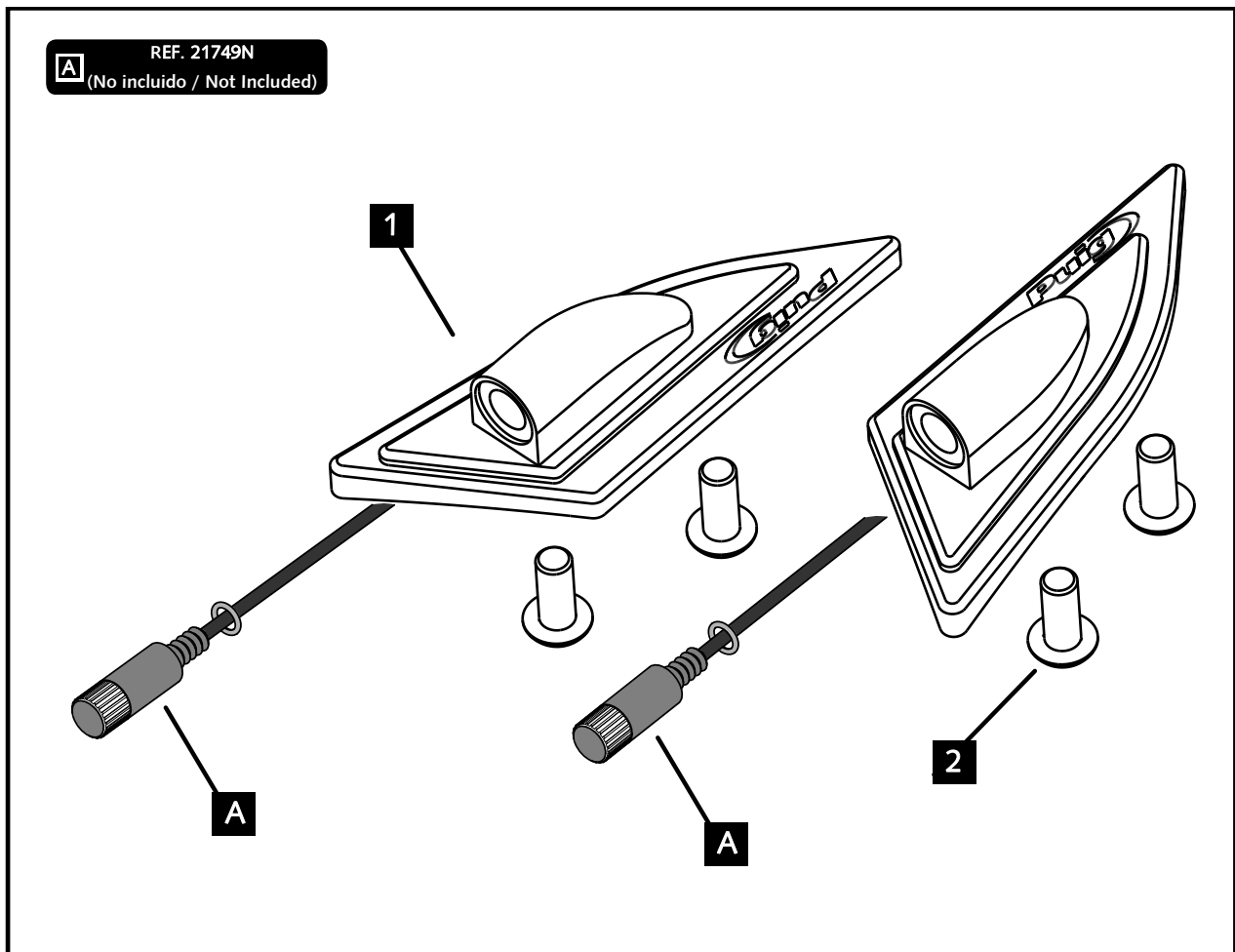
1 Person



15 min



EASY



| ID. | DESCRIPCIÓN | DESCRIPTION | QTY. |
|-----|------------------------|---------------------|------|
| 1 | Tapa | Cap | 2 |
| 2 | Tornillo M5x12 ISO7380 | M5x12 ISO7380 screw | 4 |

**CONSULTAR EN NUESTRA PAGINA WEB LA DISPONIBILIDAD DEL VIDEO DE MONTAJE DE ESTA REFERENCIA.
CONSULT OUR WEBSITE THE VIDEO MOUNT AVAILABILITY OF THIS REFERENCE.**