

UNIVERSAL

REF 21728N

PROTECTOR ESCAPE / EXHAUST PROTECTOR



ID.	DESCRIPCIÓN	DESCRIPTION	QTY.
1	Funda silicona (300 mm)	Silicone belt	1
2	Brida inox (Ø50 mm/Ø200 mm)	Stainless steel bridle	1
3	Soporte de silicona	Silicone support	1
4	Protector	Crash pad	7

UNIVERSAL

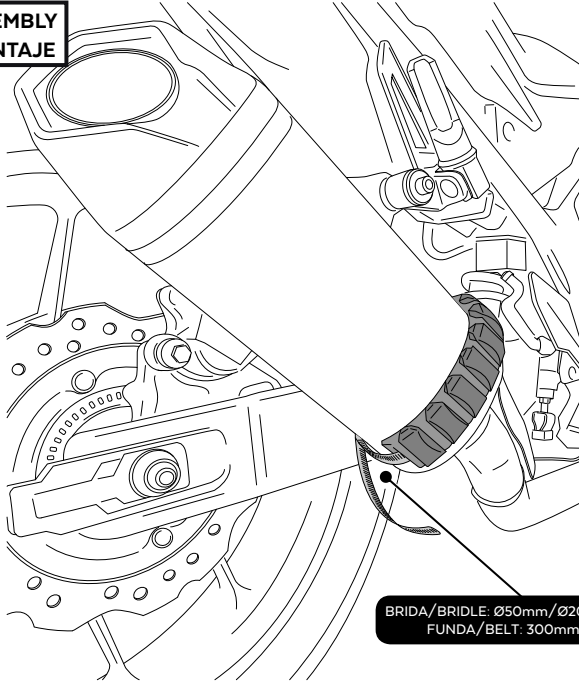
REF 21728N

INSTRUCCIONES DE MONTAJE - MOUNTING INSTRUCTIONS - MONTAGEANLEITUNG

1

DISASSEMBLY
DESMONTAJE

MONTAR Y VERIFICAR LONGITUD DE BRIDA / FUNDA SILICONA
MOUNT AND CHECK THE LENGTH BRIDLE / SILICONE BELT

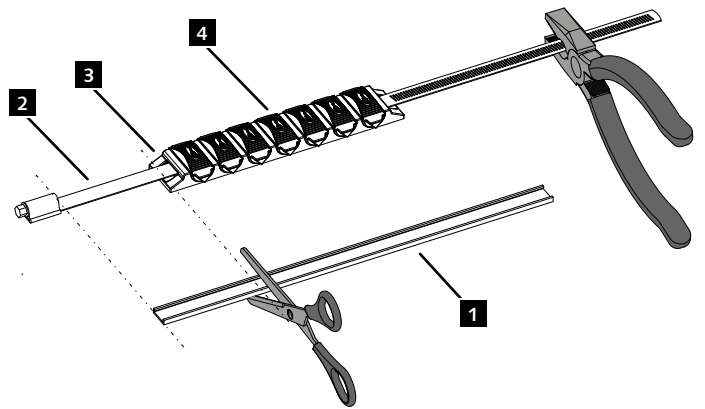


BRIDA / BRIDLE: Ø50mm / Ø200mm
FUNDA / BELT: 300mm

2

ASSEMBLY
MONTAJE

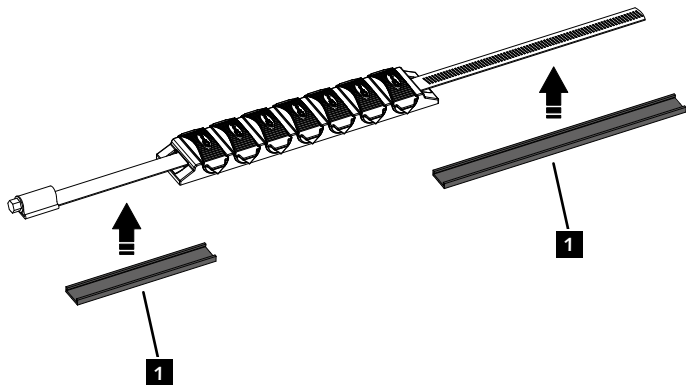
CORTAR LA BRIDA Y LA FUNDA DE SILICONA
CUT THE BRIDLE AND SILICONE BELT



3

ASSEMBLY
MONTAJE

MONTAR FUNDAS DE SILICONA
MOUNT SILICONE BELT



4

ASSEMBLY
MONTAJE

MONTAR PROTECTOR
MOUNT PROTECTOR

