

KTM 890 ADVENTURE R '23-

M O U N T I N G I N S T R U C T I O N S

REF 21610

SPORT SCREEN



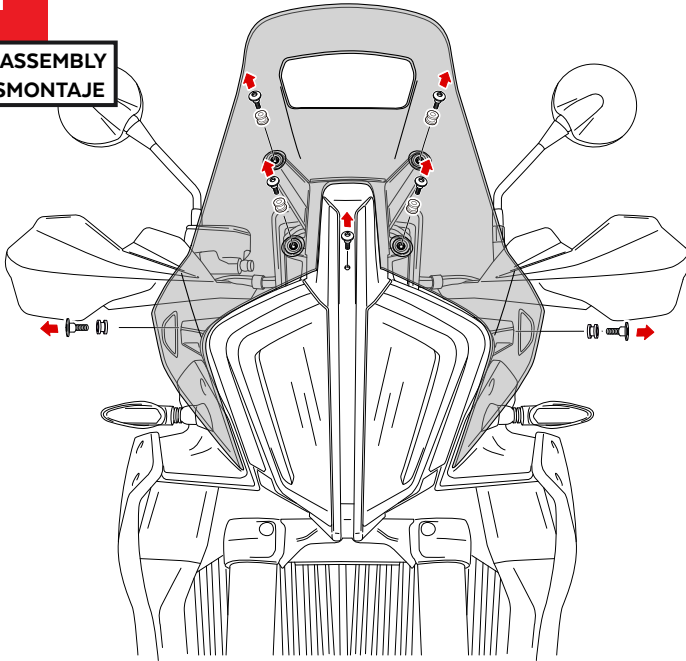
ID.	PIEZA/PART	DESCRIPCIÓN	DESCRIPTION	QTY.	REF.:
1		Cúpula Sport	Sport screen	1	21610W/H/F/NM3
2		Soporte	Metal support	1	SOPOR1P1--21611
3		Tornillo especial M5x11 Long Hexagonal 15 (Int. M5x10)	M5x11 special screw hexagonal length 15 (Int M5x10)	2	TORNI-EM5---781
4		Tornillo Allen M5x45 Ø 11 ISO 7380	M5x45 Ø 11 ISO 7380 allen screw	1	TORNI-I7380-657
5		Casquillo Ø 14x Ø 8 x31	Ø 14x Ø 8 x31 arrowhead	1	CASQUI-----506
6		Arandela de nylon M5x1	M5 nylon washer	2	ARNV00000000245
7		Arandela de goma Ø4,5 x Ø11 x 2mm	Ø4,5 x Ø11 x 2mm rubber washer	3	ARAND-EPDM--722
8		Tapón tornillo M5 ISO 7380	M5 ISO 7380 screw cap	2	TAPON-----85
9		Tornillo allen M5x12 Ø11 ISO 7380	M5x12 Ø11 ISO 7380 allen screw	2	TORNI-AI----520
10		Tapón para roscas M5	M5 thread cap	2	TAPON-----84
11		Tornillo especial M5x17 Long. Hexagonal 20 (Rosca int. M5x17)	M5x17 special screw Hexagonal length 20 (Int. Thread M5x17)	1	TORNI-EM5---664

KTM 890 ADVENTURE R '23-

INSTRUCCIONES DE MONTAJE - MOUNTING INSTRUCTIONS - MONTAGEANLEITUNG

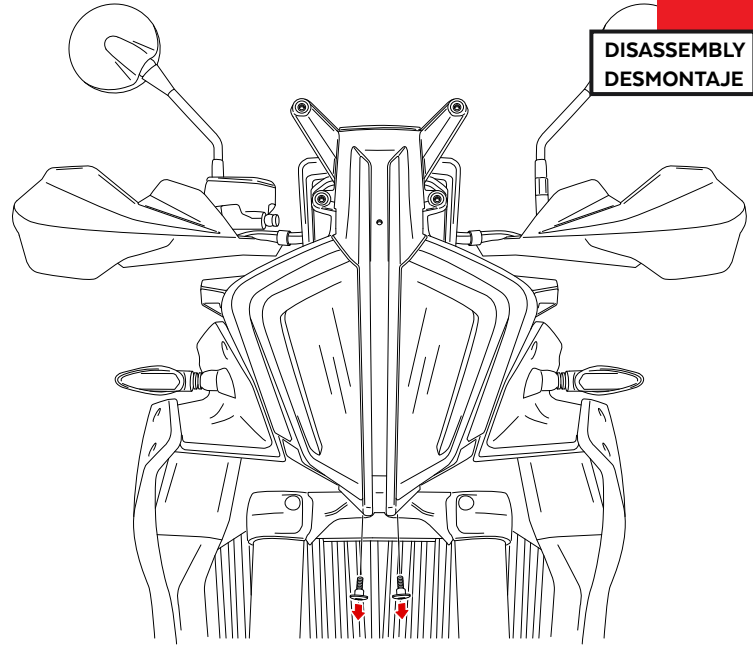
1

DISASSEMBLY
DESMONTAJE



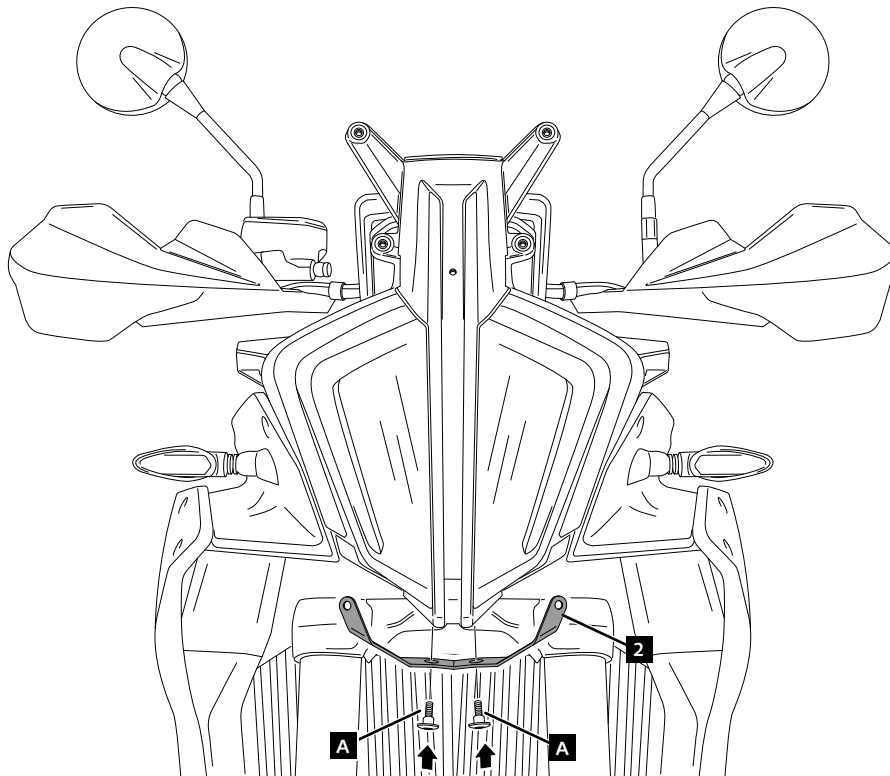
2

DISASSEMBLY
DESMONTAJE



3

ASSEMBLY
MONTAJE



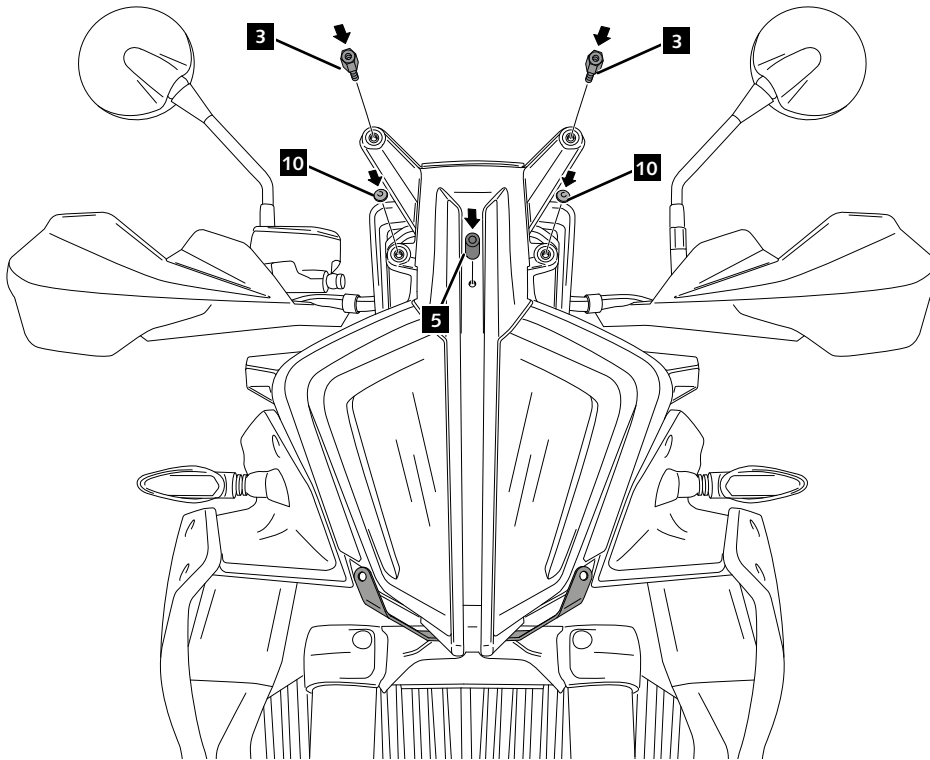
A Tornillería original
Original screws

KTM 890 ADVENTURE R '23-

INSTRUCCIONES DE MONTAJE - MOUNTING INSTRUCTIONS - MONTAGEANLEITUNG

4

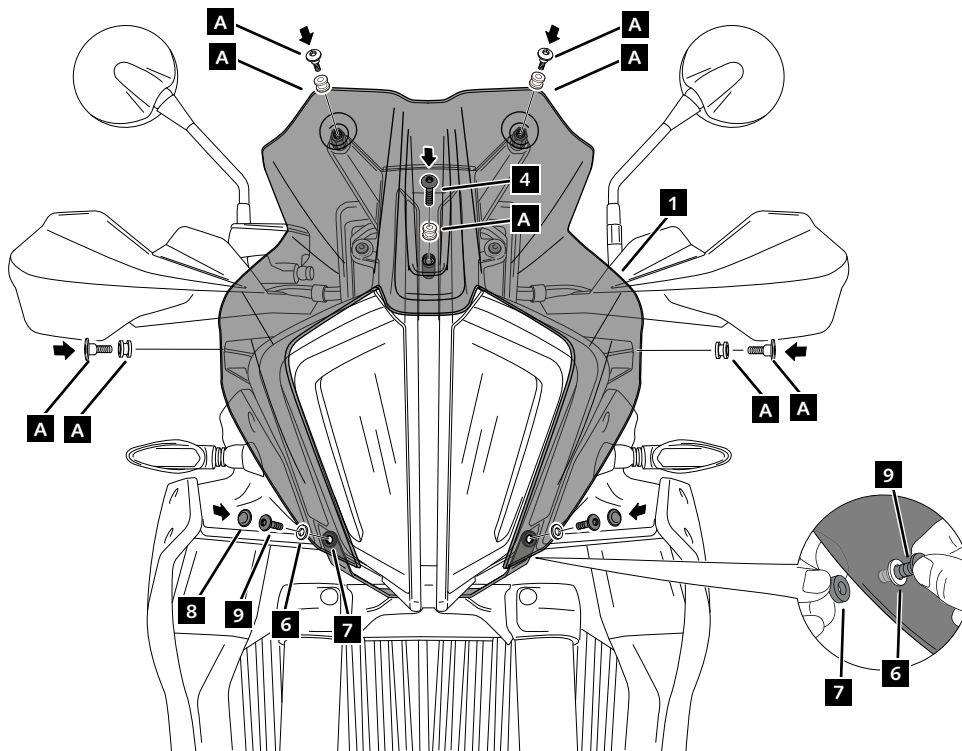
ASSEMBLY
MONTAJE



5

ASSEMBLY
MONTAJE

A Tornillería original
Original screws



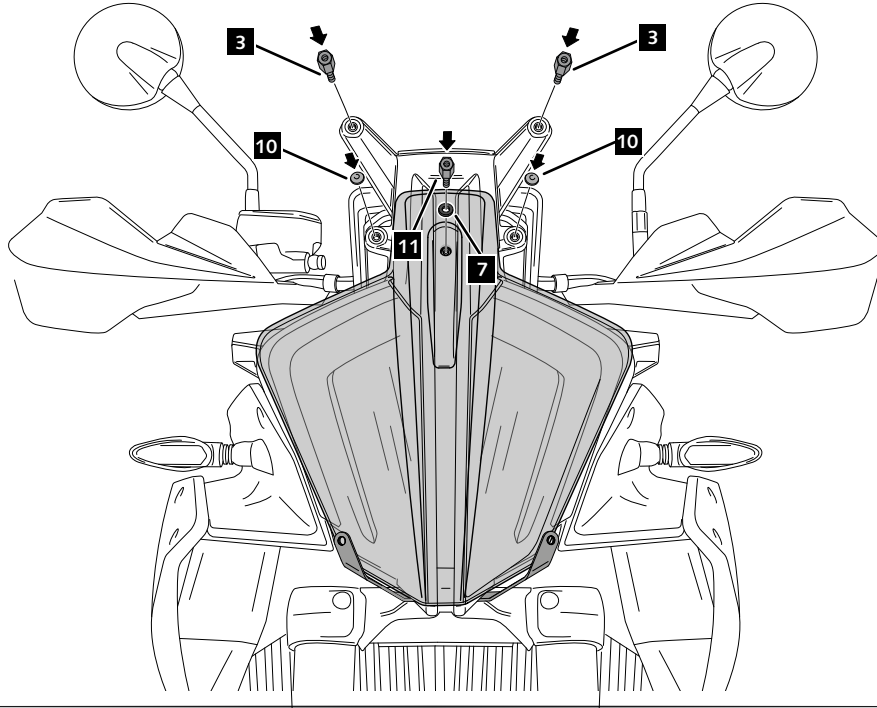
KTM 890 ADVENTURE R '23-

INSTRUCCIONES DE MONTAJE - MOUNTING INSTRUCTIONS - MONTAGEANLEITUNG

4B

ASSEMBLY
MONTAJE

ASSEMBLY WITH ORIGINAL HEADLIGHT PROTECTOR



5B

ASSEMBLY
MONTAJE

ASSEMBLY WITH ORIGINAL HEADLIGHT PROTECTOR

A Tornillería original
Original screws

