

# DUCATI SCRAMBLER 800 '23-

## M O U N T I N G I N S T R U C T I O N S

REF 21580

WINDSHIELD NG SPORT



1 Person



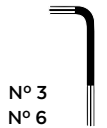
30 min



EASY



ALLEN



N° 3  
N° 6

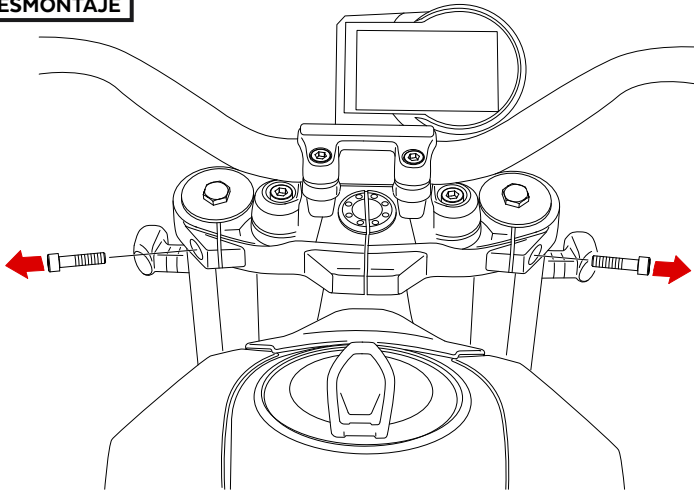
ID.	PIEZA/PART	DESCRIPCIÓN	DESCRIPTION	QTY.	REF.:
1		Cúpula Sport	Sport screen	1	21580H/W/F/NM3
2		Soporte Izquierdo (L)	Left support (L)	1	SOPOR2P7-L21580
3		Soporte derecho (R)	Right support (R)	1	SOPOR2P7-R21580
4		Casquillo Ø8,5xØ13x20	Ø8,5xØ13x20 arrowhead	2	CASQUI-----586
5		Tornillo M8x45 DIN912	M8x45 DIN912 screw	2	TORNI-AD912-508
6		Arandela de goma Ø4,5xØ11x2mm	Ø4,5xØ11x2mm rubber washer	3	ARAND-EPDM--722
7		Tornillo M5x12 DIN7991	M5x12 DIN7991 screw	3	TORNI-D7991-611
8		Tapón tornillo M5 DIN7991	M5 DIN7991 screw cap	3	TAPON-----92

# DUCATI SCRAMBLER 800 '23-

INSTRUCCIONES DE MONTAJE - MOUNTING INSTRUCTIONS - MONTAGEANLEITUNG

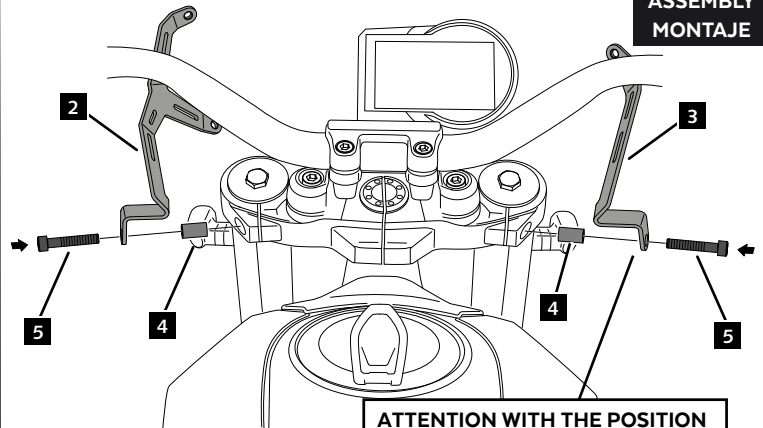
**1**

**DISASSEMBLY  
DESMONTAJE**



**2**

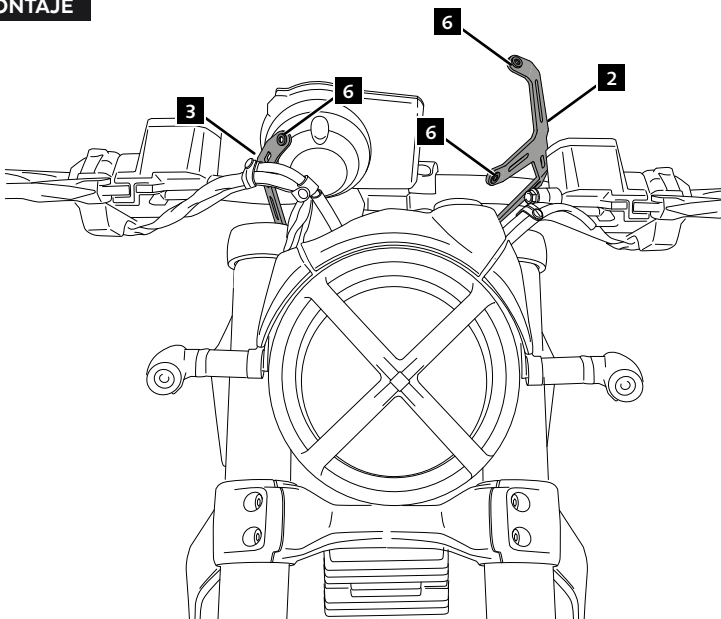
**ASSEMBLY  
MONTAJE**



**ATTENTION WITH THE POSITION  
OF THE RIGHT SUPPORT**

**3**

**ASSEMBLY  
MONTAJE**



**4**

**ASSEMBLY  
MONTAJE**

