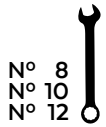


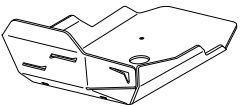
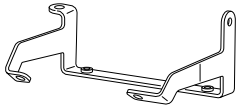
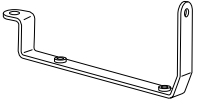

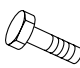
# TRIUMPH TIGER 900 '20-

## M O U N T I N G I N S T R U C T I O N S

REF 21577

OIL CARTER GUARD



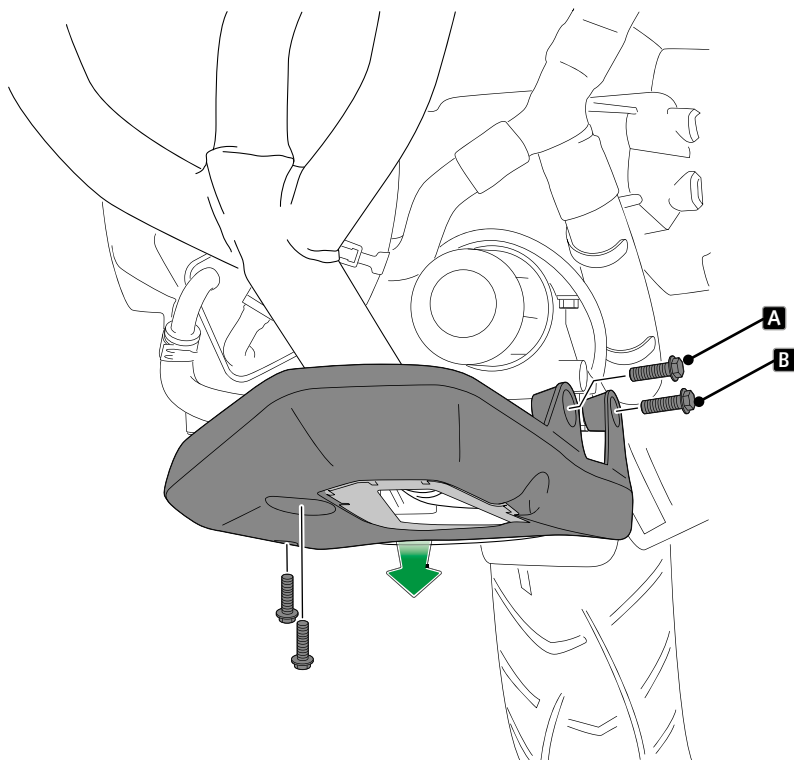
ID	PIEZA/PART	DESCRIPCIÓN	DESCRIPTION	QTY	REF
1		Protector de aluminio	Aluminum protection plate	1	SOPOR3P4-P21577
2		Soporte delantero	Front support	1	SOPOR3P4-D21577
3		Soporte trasero	Rear support	1	SOPO3P4-T21577
4		Tornillo M6 x16 DIN7991	M6 x16 DIN7991 screw	6	TORNI-D7991-544
5		Tornillo M6x20 DIN933	M6x20 DIN933 screw	1	TORNIED933-0034

# TRIUMPH TIGER 900 '20-

INSTRUCCIONES DE MONTAJE - MOUNTING INSTRUCTIONS - MONTAGEANLEITUNG

1

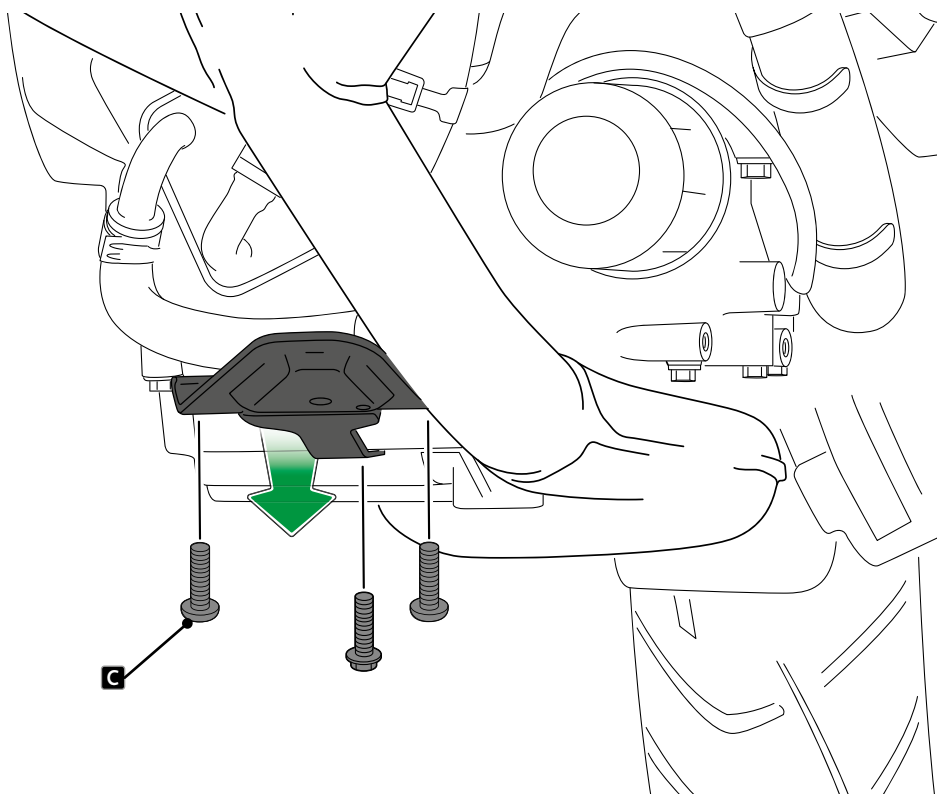
DISASSEMBLY  
DESMONTAJE



A ORIGINAL SCREWS REQUIRED  
B FOR ASSEMBLY

2

DISASSEMBLY  
DESMONTAJE



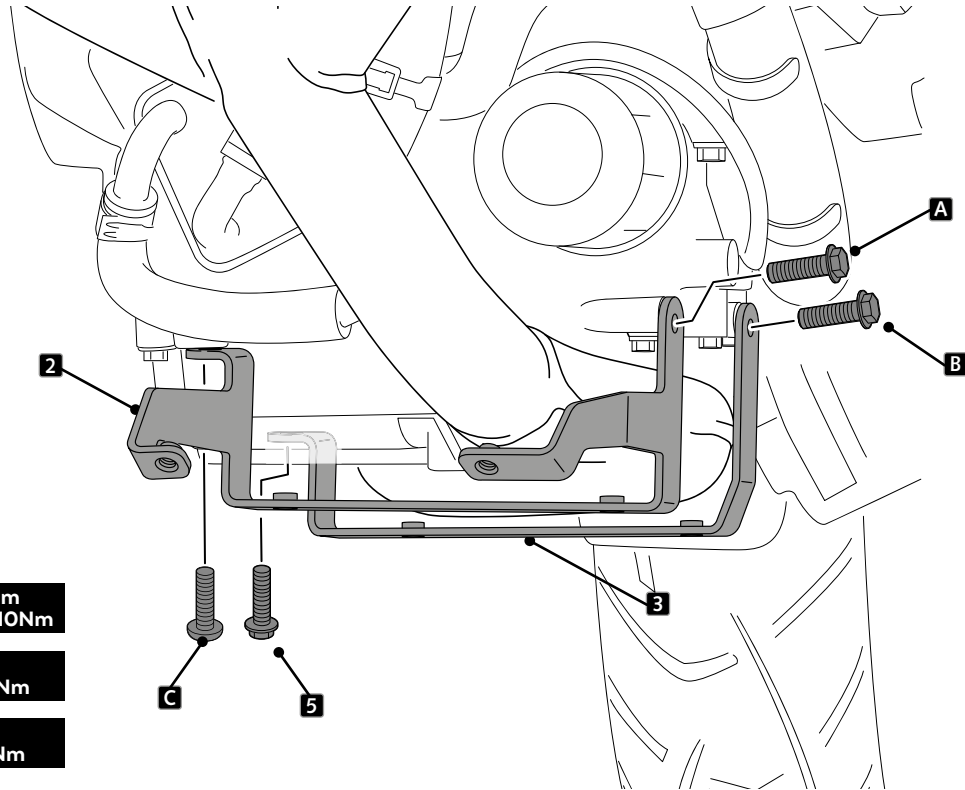
C ORIGINAL SCREW REQUIRED  
FOR ASSEMBLY

# TRIUMPH TIGER 900 '20-

INSTRUCCIONES DE MONTAJE - MOUNTING INSTRUCTIONS - MONTAGEANLEITUNG

**3**

ASSEMBLY  
MONTAJE



**A B C** PIEZA ORIGINAL  
ORIGINAL PART

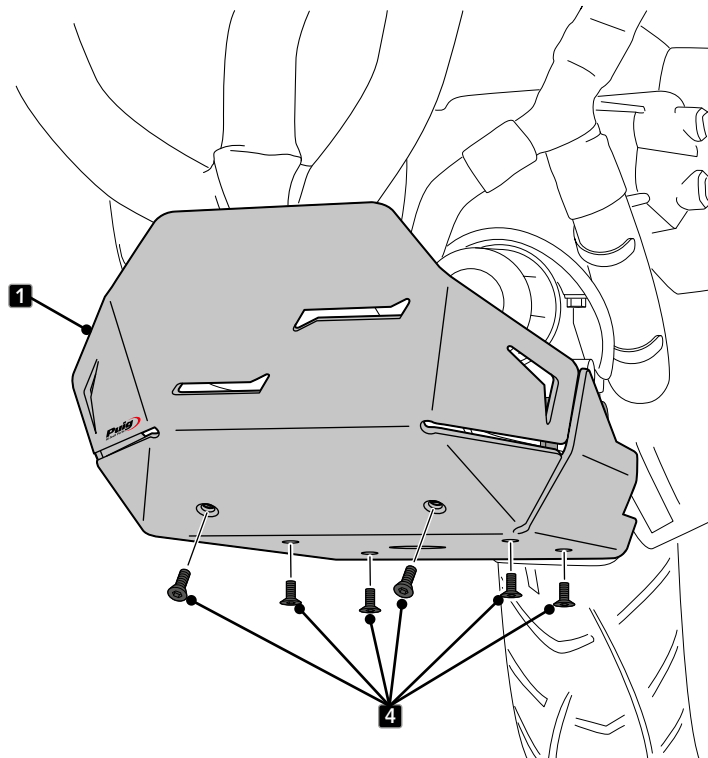
**A B**  Par de apriete - 10 Nm  
Tightening torque - 10Nm


**C**  Par de apriete - 20 Nm  
Tightening torque - 20Nm

**5**  Par de apriete - 10 Nm  
Tightening torque - 10Nm

**4**

ASSEMBLY  
MONTAJE



**4**  Par de apriete - 10 Nm  
Tightening torque - 10Nm