

HONDA CB 650R / CBR 650R '21-

REF 21367N

TAPAS LATERAL IZQUIERDO / LEFT SIDE COVERS



1 Person



30 min



EASY



| ID. | PIEZA / PART | DESCRIPCIÓN | DESCRIPTION | QTY. | REF.: |
|-----|---|-----------------------|--------------------|------|-----------------|
| 1 |  | Tapa izquierda | Left cover | 1 | CONJUNTO--21367 |
| 2 |  | Tornillo M6x30 DIN912 | M6x30 DIN912 screw | 3 | - |
| 3 |  | Tornillo M6x40 DIN912 | M6x40 DIN912 screw | 1 | - |

RECOMENDAMOS MONTAR LOS TORNILLOS APRETANDO UNIFORMEMENTE UNO TRAS OTRO, PARA APRETAR FINALMENTE CON DINAMOMÉTRICA
WE RECOMMEND TO MOUNT THE SCREWS UNIFORMLY TIGHTENING ONE AFTER THE OTHER, TO FINALLY TIGHTEN WITH DYNAMOMETRIC

HONDA CB 650R / CBR 650R '21-

REF 21367N

INSTRUCCIONES DE MONTAJE - MOUNTING INSTRUCTIONS - MONTAGEANLEITUNG

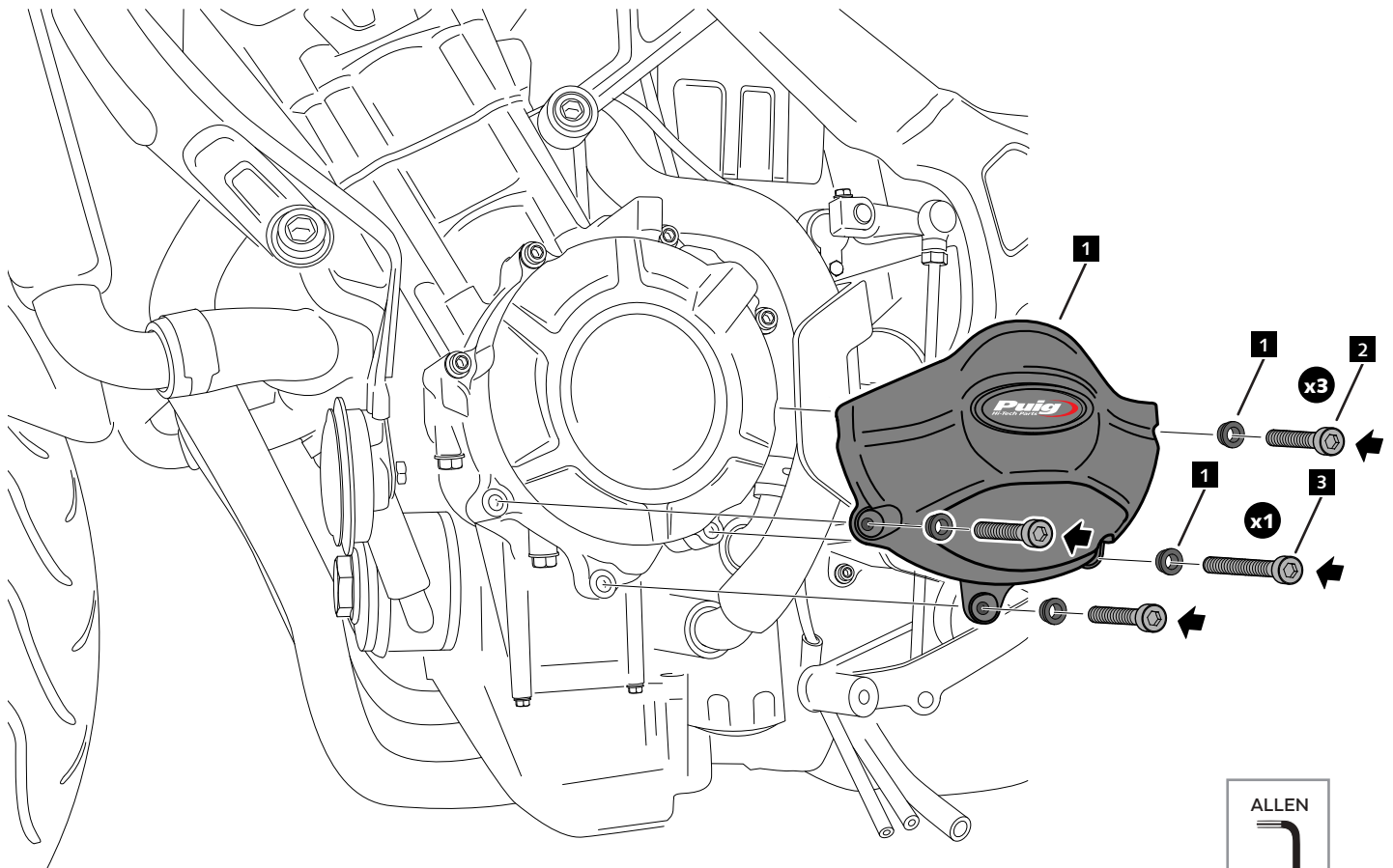
1

ASSEMBLY
MONTAJE

2



12,00 N/m - Par de apriete
8,85 lb/ft - Tightening torque



ALLEN



5mm

HONDA CB 650R / CBR 650R '21-

REF 21367N

TAPAS LATERAL DERECHO / RIGHT SIDE COVERS



1 Person



30 min



EASY



| ID. | PIEZA / PART | DESCRIPCIÓN | DESCRIPTION | QTY. | REF: |
|-----|---|-----------------------|--------------------|------|-----------------|
| 1 |  | Tapa derecha 1 | Right cover 1 | 1 | CONJUNTO--21367 |
| 2 |  | Tapa derecha 2 | Right cover 2 | 1 | CONJUNTO--21367 |
| 3 |  | Tornillo M6x35 DIN912 | M6x35 DIN912 screw | 6 | - |

RECOMENDAMOS MONTAR LOS TORNILLOS APRETANDO UNIFORMEMENTE UNO TRAS OTRO, PARA APRETAR FINALMENTE CON DINAMOMÉTRICA
WE RECOMMEND TO MOUNT THE SCREWS UNIFORMLY TIGHTENING ONE AFTER THE OTHER, TO FINALLY TIGHTEN WITH DYNAMOMETRIC

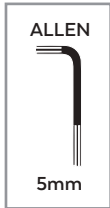
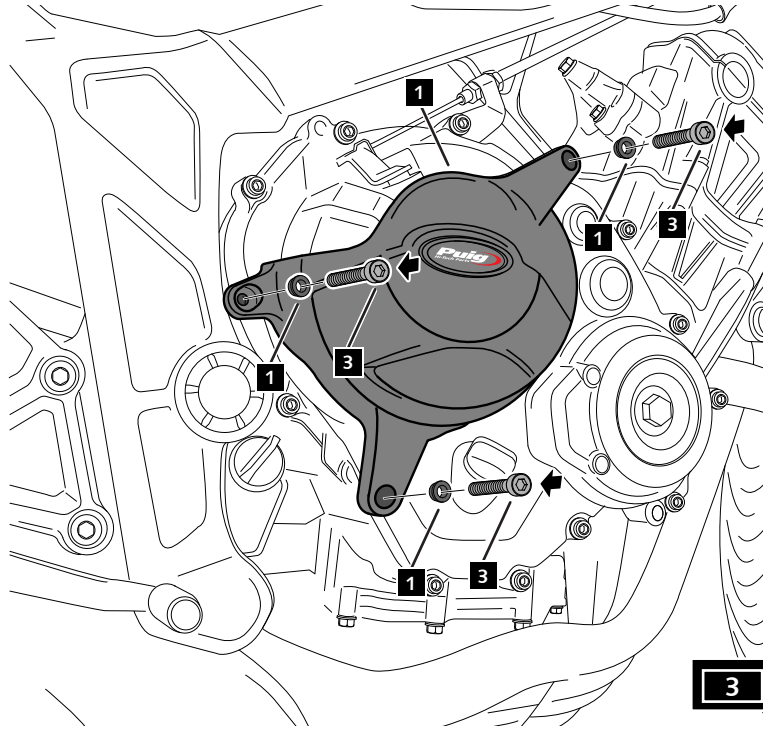
HONDA CB 650R / CBR 650R '21-

REF 21367N

INSTRUCCIONES DE MONTAJE - MOUNTING INSTRUCTIONS - MONTAGEANLEITUNG

1

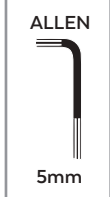
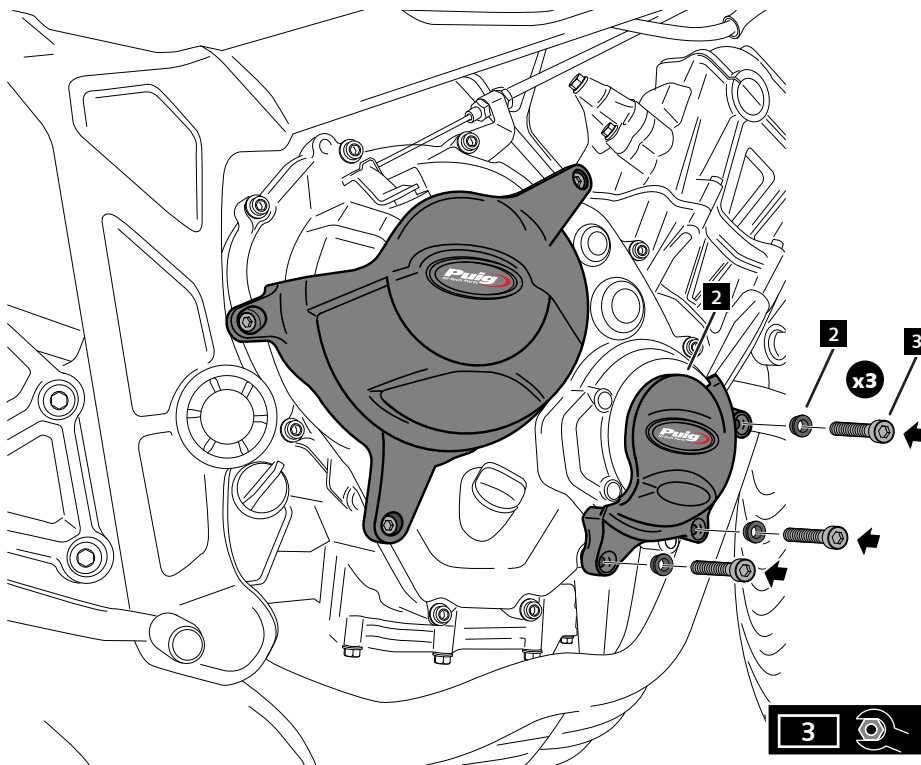
ASSEMBLY
MONTAJE



3  12,00 N/m - Par de apriete
8,85 lb/ft - Tightening torque

2

ASSEMBLY
MONTAJE



3  12,00 N/m - Par de apriete
8,85 lb/ft - Tightening torque