

# HONDA PCX 125 '20-'21

REF 20572N

**KIT INSTALACIÓN DE MALETA PUIG / PUIG BOX INSTALLATION KIT**



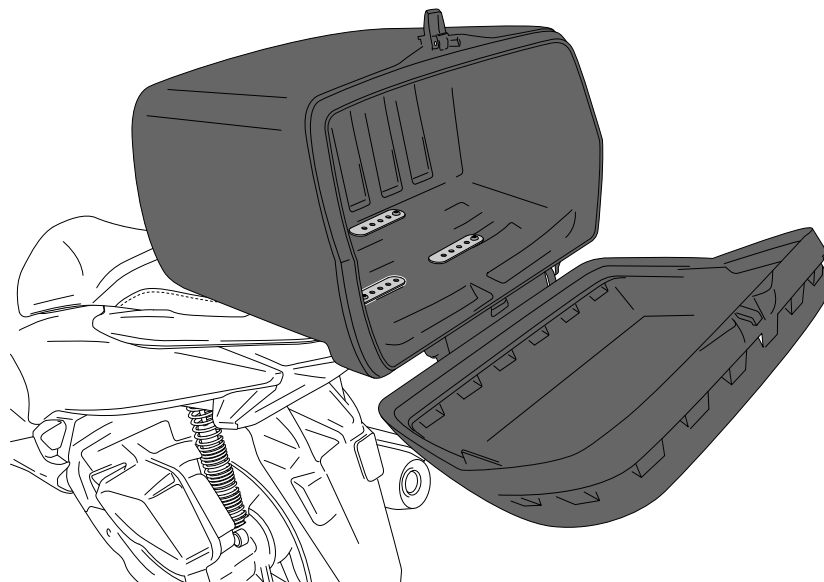
1 Person



30 min



INTERMEDIATE



Accesorio verificado en la configuración básica de la motocicleta. Para modelos con configuraciones extras de fábrica. No podemos asegurar su compatibilidad, salvo consulta previa. Declinamos cualquier eventual reclamación.  
Accessory verified in the basic configuration of the motorcycle. For models with extra factory settings. We cannot assure its compatibility, except for prior consultation. We decline any eventual claim.

| ID. | PIEZA / PART  | DESCRIPCIÓN                    | DESCRIPTION               | QTY. | REF.:            |
|-----|---|--------------------------------|---------------------------|------|------------------|
| 1   |  | Parrilla metálica              | Metallic grid             | 1    | PARRILL50-3-0050 |
| 2   |  | Tornillo M8x30 DIN912 (Negro)  | M8x30 DIN912 black screw  | 2    | TORNI-D912--575  |
| 3   |  | Tornillo M8x40 DIN912 (Negro)  | M8x40 DIN912 black screw  | 2    | TORNI-AD912-475  |
| 4   |  | Arandela M8 DIN125/A (Negro)   | M8 DIN125/A nut           | 4    | ARANDPD125A-018  |
| 5   |  | Casquillo aluminio (15mm)      | Aluminum spacer (15mm)    | 2    | CASQU274-0-1574  |
| 6   |  | Casquillo aluminio (25mm)      | Aluminum spacer (25mm)    | 2    | CASQU384-0-1884  |
| 7   |  | Tornillo M6x20 DIN1001 (Negro) | M6x20 DIN1001 black screw | 4    | TORNI-I7380-404  |
| 8   |  | Arandela M6 DIN9021 (Negro)    | M6 DIN9021 black washer   | 4    | ARANDPD9021-037  |
| 9   |  | Tuerca M6 DIN6923 (Negro)      | M6 DIN6923 black nut      | 4    | TUERCAEM6G-0213  |

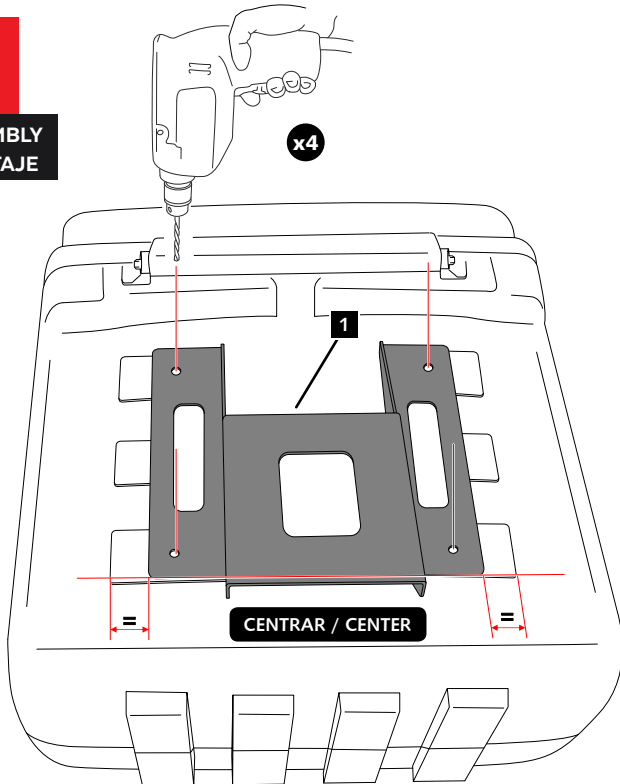
# HONDA PCX 125 '20-'21

REF  
20572N

INSTRUCCIONES DE MONTAJE - MOUNTING INSTRUCTIONS - MONTAGEANLEITUNG

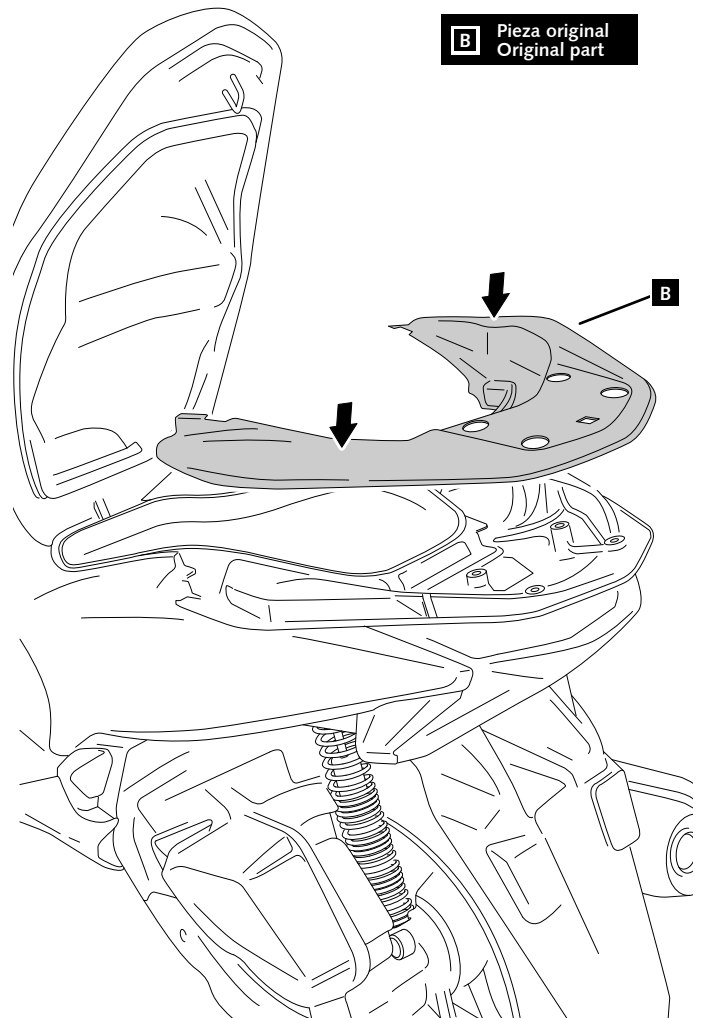
1

ASSEMBLY  
MONTAJE



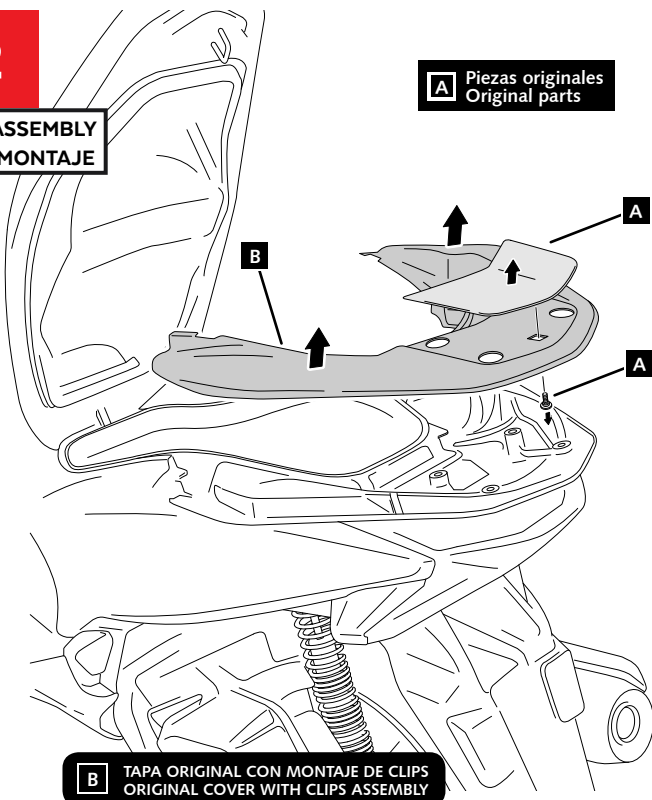
3

ASSEMBLY  
MONTAJE



2

DISASSEMBLY  
DESMONTAJE



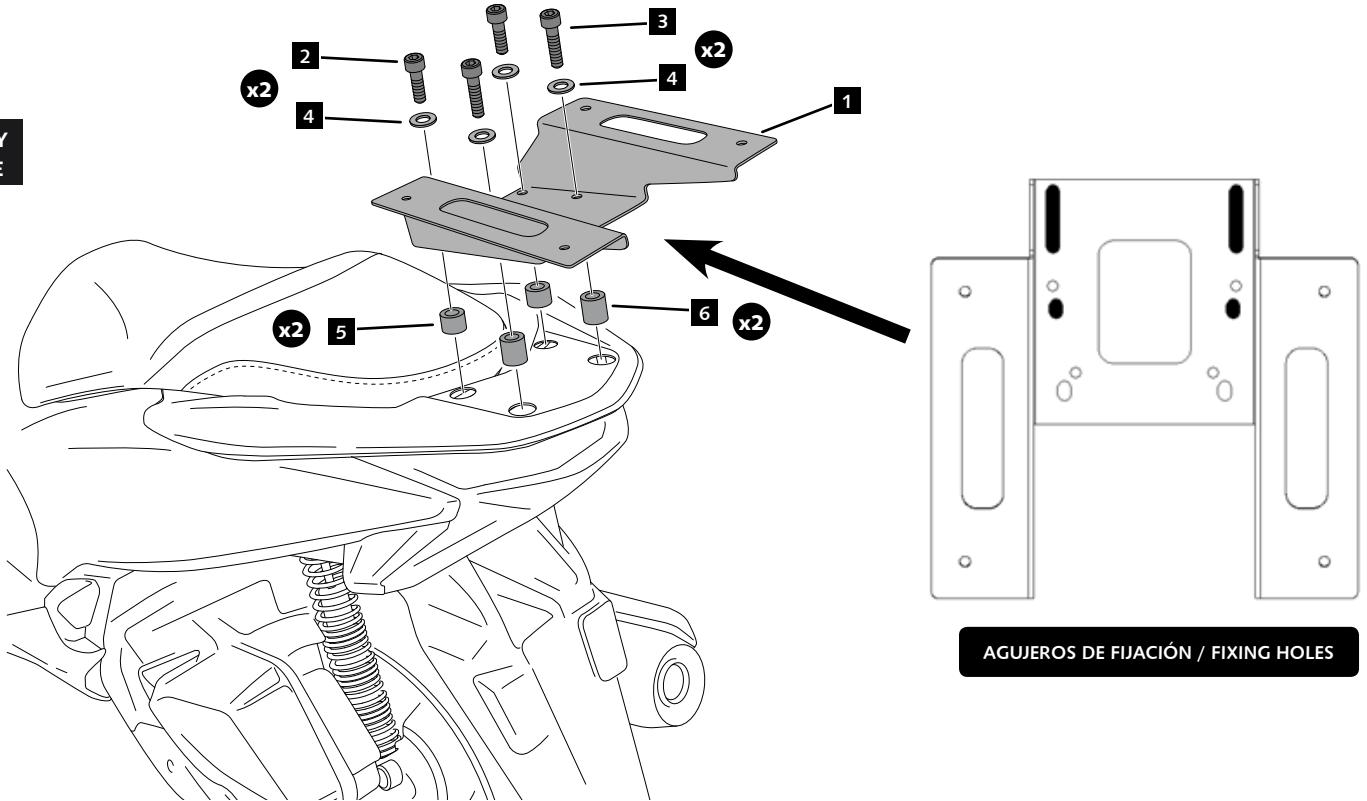
# HONDA PCX 125 '20-'21

REF  
20572N

INSTRUCCIONES DE MONTAJE - MOUNTING INSTRUCTIONS - MONTAGEANLEITUNG

**4**

ASSEMBLY  
MONTAJE



**5**

ASSEMBLY  
MONTAJE

