

DUCATI SCRAMBLER (WITH HYDRAULIC CLUTCH)

M O U N T I N G I N S T R U C T I O N S

REF 20509

HANDGUARDS

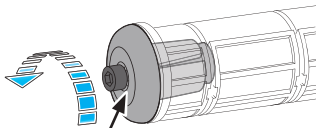


ID	PIEZA/PART	DESCRIPCIÓN	DESCRIPTION	QTY	REF
1		Paramanos derecho	Right handguard	1	20509JM3
2		Pieza derecha anclaje manillar Ø6,5 (se suministra montada)	Ø6.5 right handlebar anchoring part (supplied mounted with handguard)	1	20509JM3
3		Paramanos izquierdo	Left handguard	1	20509JM3
4		Pieza izquierda anclaje manillar Ø6,5 (se suministra montada)	Ø6.5 left handlebar anchoring part (supplied mounted with handguard)	1	20509JM3
5		Soporte metálico derecho (·)	Right metal support (·)	1	SOPOR2P2-R20509
6		Soporte metálico izquierdo (·)	Left metal support (·)	1	SOPOR2P2-L20509
7		Tornillo Allen M8x45 DIN912	M8X45 DIN912 Screw	2	TORNI-AD912-508
8		Tuerca autoblocante M8	M8 locking nut	2	TUEA-D985.8-M8-
9		Arandela de nylon M5x1 (se suministra montada)	M5x1 Nylon washer (se suministra montada)	6	ARNV00000000245
10		Arandela de goma Ø4,5 x Ø11 x 2mm (se suministra montada)	Ø4,5 x Ø11 x 2mm Nylon washer (supplied mounted with handguard)	4	ARAND-EPDM--722
11		Arandela de goma Ø4,5 x Ø14 x 4mm	Ø4,5xØ14 x 4mm Rubber washer	2	ARAND-GD13D5X4-
12		Tornillo Allen M6x40 DIN7991	M6X40 DIN7991 Allen screw	2	TORNIAD7991-377
13		Arandela de plástico Ø30 x Ø6	Ø30 x Ø6 plastic washer	2	ARAND-PN6X30-67
14		Tapón tornillo M5 ISO 7380	M5 ISO 7380 Allen screw cap	6	TAPON-----85
15		Tornillo Allen M5x16 Ø11 ISO 7380	Allen screw M5x16 Ø11 ISO 7380	6	TORNI-I7380-493
16		Tuerca grafilada M5 (se suministra montada)	M5 special nut (supplied mounted)	4	TUERC-D6923-255
17		Kit adhesivos	Stickers set	1	ADHESI-----234

DUCATI SCRAMBLER (WITH HYDRAULIC CLUTCH)

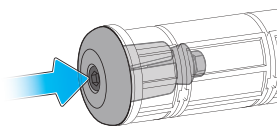
INSTRUCCIONES DE MONTAJE - MOUNTING INSTRUCTIONS - MONTAGEANLEITUNG

1.1



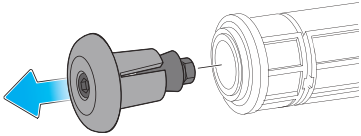
⚠ NO SOBREPASAR LA PIEZA DE PLÁSTICO
DO NOT SURPASS THE PLASTIC ITEM

1.2

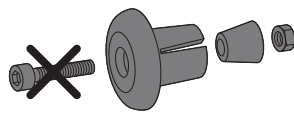


PRESIONAR EL TORNILLO PARA DESBLOQUEAR EL CONTRAPESO
PRESS THE BOLT TO UNBLOCK THE BAR END

1.3

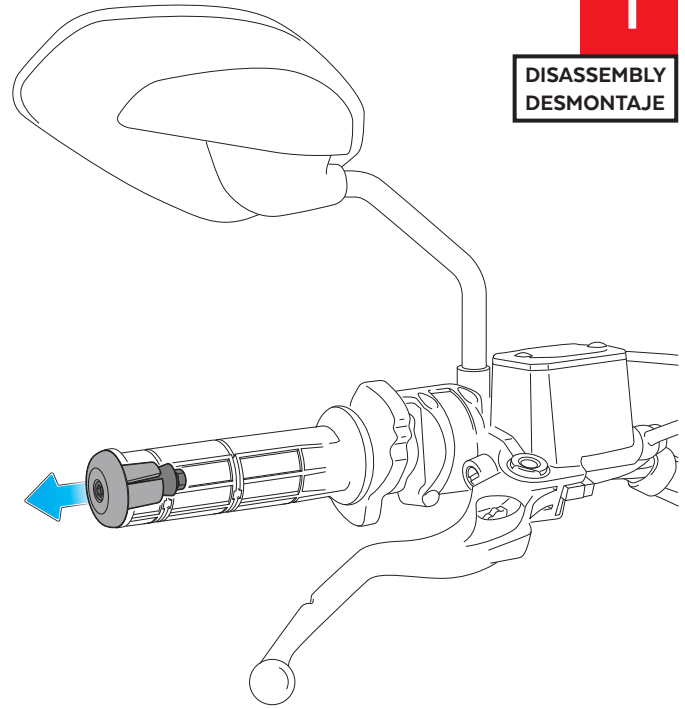


1.4



1

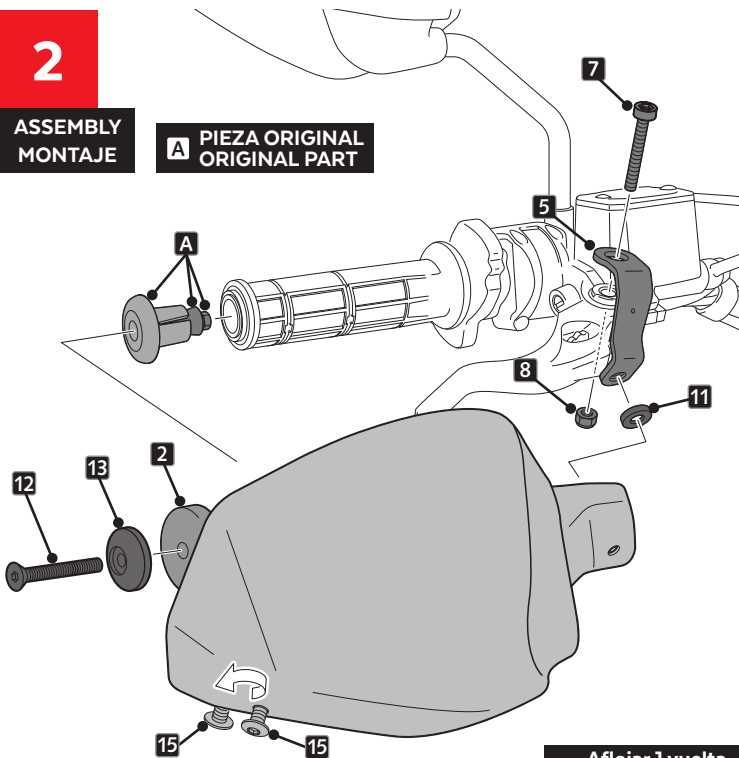
DISASSEMBLY
DESMONTAJE



2

ASSEMBLY
MONTAJE

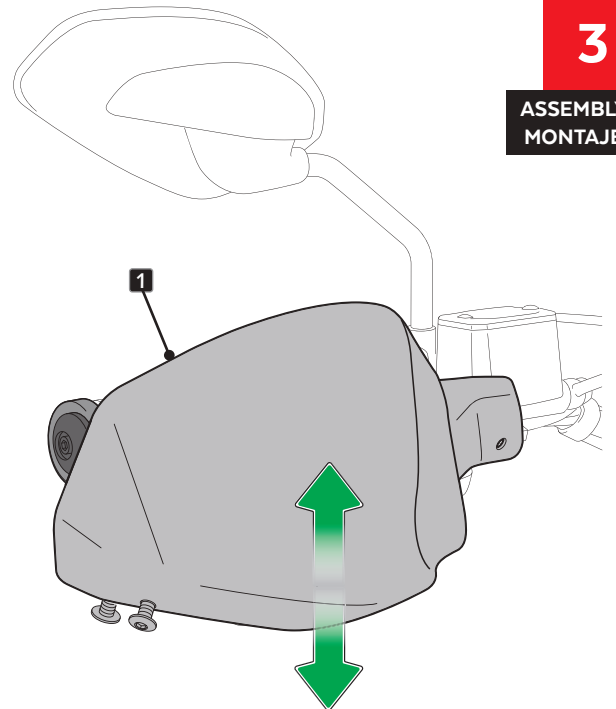
A PIEZA ORIGINAL
ORIGINAL PART



15 Aflojar 1 vuelta
Loose one turn

3

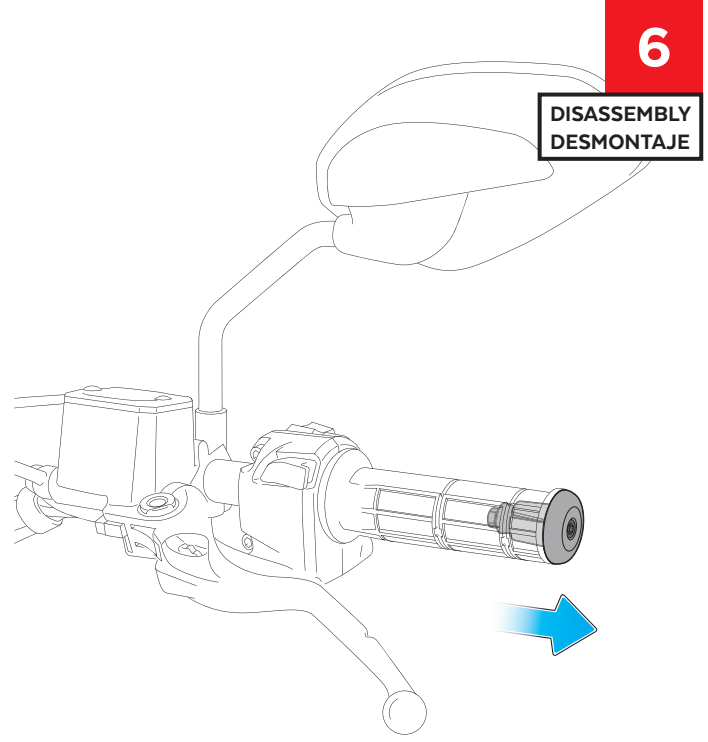
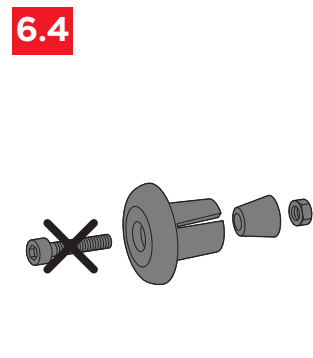
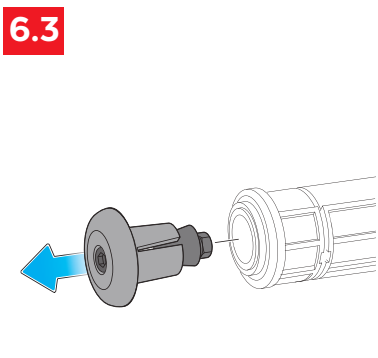
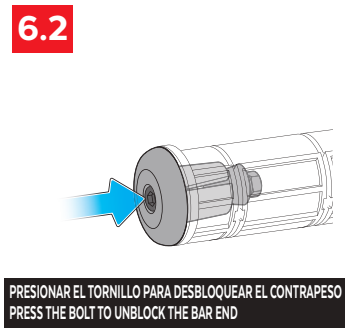
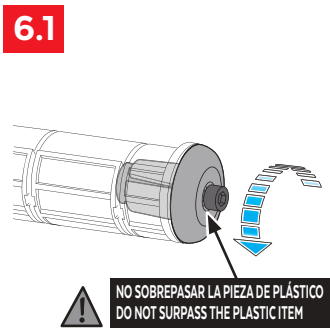
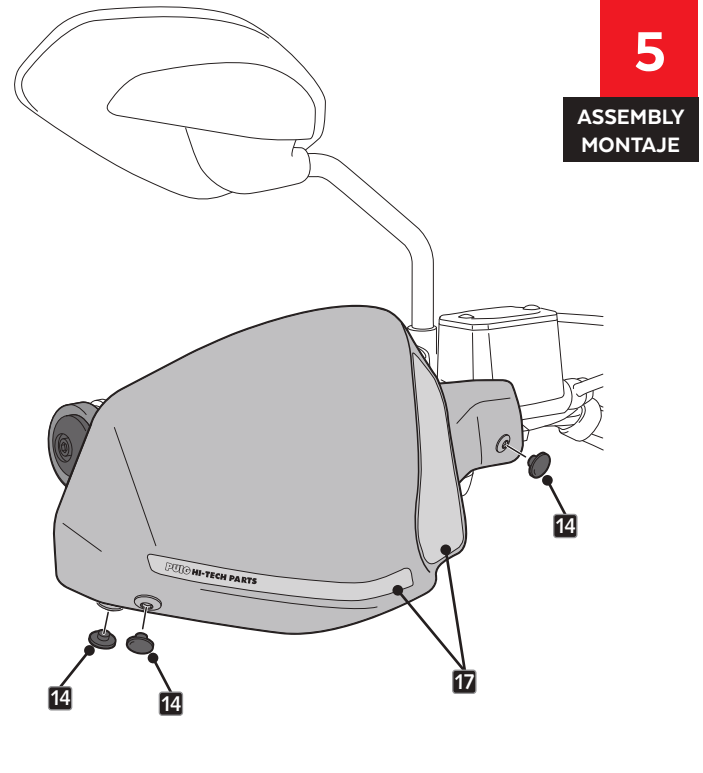
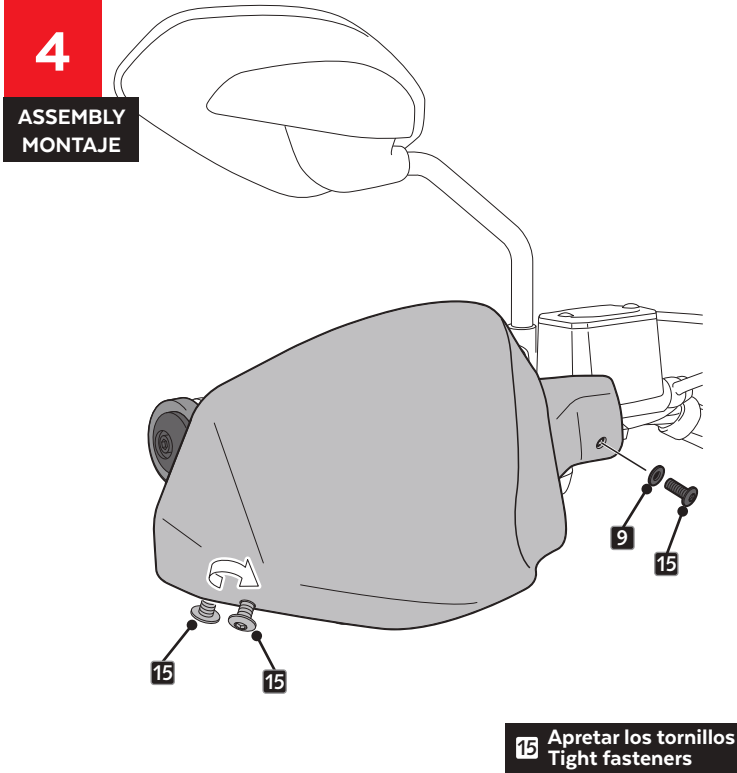
ASSEMBLY
MONTAJE



1 Ajustar posición paramanos
Adjust handguard position

DUCATI SCRAMBLER (WITH HYDRAULIC CLUTCH)

INSTRUCCIONES DE MONTAJE - MOUNTING INSTRUCTIONS - MONTAGEANLEITUNG



DUCATI SCRAMBLER (WITH HYDRAULIC CLUTCH)

INSTRUCCIONES DE MONTAJE - MOUNTING INSTRUCTIONS - MONTAGEANLEITUNG

