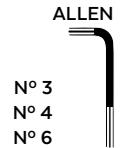


SUZUKI DL1050XT V-STROM '20-

M O U N T I N G I N S T R U C T I O N S

REF 20413

PROTECTOR DE FARO / HEADLIGHT PROTECTOR



| ID. | PIEZA/PART | DESCRIPCIÓN | DESCRIPTION | QTY. | REF.: |
|-----|------------|-----------------------------------|-------------------------------|------|-----------------|
| 1 | | Protector de faro | Headlight protector | 1 | 20413WM3 |
| 2 | | Soporte SUPERIOR derecho (UR) | UPPER right support (UR) | 1 | SOPOR6P6UR20413 |
| 3 | | Soporte SUPERIOR izquierdo (UL) | UPPER left support(UL) | 1 | SOPOR6P6UL20413 |
| 4 | | Soporte INFERIOR derecho (LR) | LOWER Right support (LR) | 1 | SOPOR6P6LR20413 |
| 5 | | Soporte INFERIOR izquierdo (LL) | LOWER Left support (LL) | 1 | SOPOR6P6LL20413 |
| 6 | | Soporte MÓVIL derecho (MR) | Right MOBILE support (MR) | 1 | SOPOR6P6MR20413 |
| 7 | | Soporte MÓVIL izquierdo (ML) | Left MOBILE support (ML) | 1 | SOPOR6P6ML20413 |
| 8 | | Casquillo Ø8xØ14x6 | Ø8xØ14x6 arrowhead | 2 | CASQUI-----208 |
| 9 | | Casquillo Ø8,5xØ14x 12 | Ø8,5xØ14x12 arrowhead | 2 | CASQUI-----0083 |
| 10 | | Casquillo Ø8,5xØ14x 22 | Ø8,5xØ14x 22 arrowhead | 2 | CASQUI-----150 |
| 11 | | Casquillo con valona Ø12xØ6,8x7,3 | Ø12xØ6,8x7,3 bush with flange | 2 | CASQUI-1A---750 |
| 12 | | Tornillo allen M4x8 ISO 7380 | M4x8 ISO 7380 allen screw | 2 | TORNI-I7380-757 |
| 13 | | Tornillo allen M4x12 ISO 7380 | M4x12 ISO 7380 allen screw | 2 | TORNI-I7380-800 |
| 14 | | Tornillo allen M5x11 ISO 7380 | M5x11 ISO 7380 allen screw | 2 | TORNI-AI----520 |
| 15 | | Tornillo allen M5x20 ISO 7380 | M5x20 ISO 7380 allen screw | 2 | TORNIAI7380-387 |
| 16 | | Tornillo Allen M8x40 DIN 912 | M8x40 DIN 912 allen screw | 2 | TORNI-AD912-475 |
| 17 | | Tornillo Allen M8x35 DIN 912 | M8x35 DIN 912 allen screw | 2 | TORNI-AD912-196 |
| 18 | | Tuerca autoblocante M4 | M4 lock nut | 2 | TUERCAE985-0290 |
| 19 | | Silentblock Ø9xØ6x8mm | Ø9xØ6x8mm silentblock | 2 | AROPASACABLES-3 |
| 20 | | Arandela nylon M4 | M4 nylon washer | 4 | ARNV00000000311 |
| 21 | | Arandela M4 DIN 9021 | M4 DIN 9021 washer | 2 | ARAND-----862 |
| 22 | | Casquillo nylon Ø4,3xØ8x2,5 | Ø4,3xØ8x2,5 nylon spacer | 2 | CASQUI-----3732 |
| 23 | | Tapón tornillo M8 DIN912 | M8 DIN912 Cap screw | 4 | TAPA-CHC11450E |

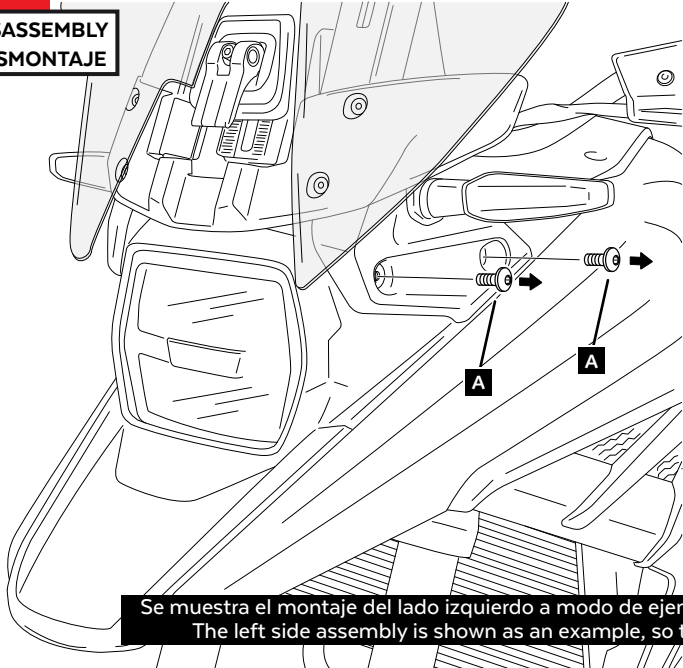
SUZUKI DL1050XT V-STROM '20-

INSTRUCCIONES DE MONTAJE - MOUNTING INSTRUCTIONS - MONTAGEANLEITUNG

1

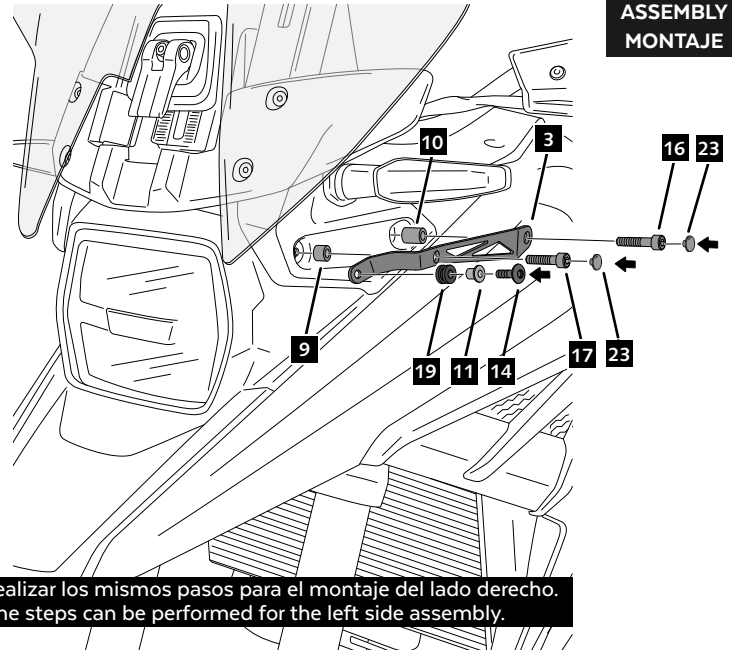
**DISASSEMBLY
DESMONTAJE**

A Componentes originales
Original components



2

**ASSEMBLY
MONTAJE**

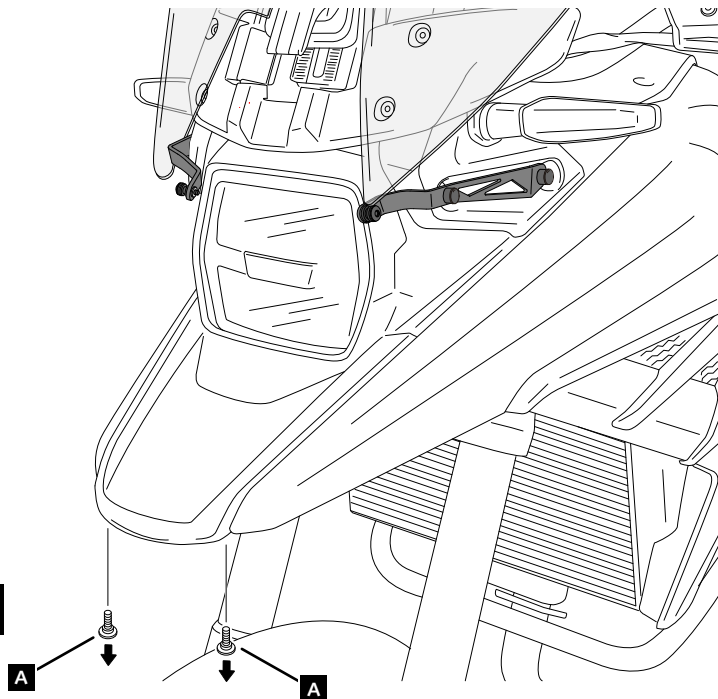


Se muestra el montaje del lado izquierdo a modo de ejemplo, realizar los mismos pasos para el montaje del lado derecho.
The left side assembly is shown as an example, so the same steps can be performed for the left side assembly.

3

**DISASSEMBLY
DESMONTAJE**

A Componentes originales
Original components

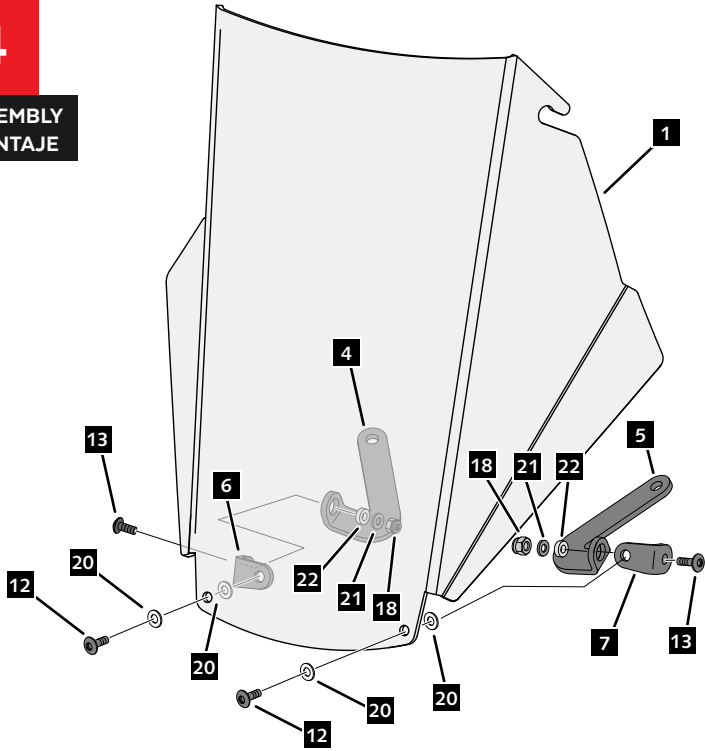


SUZUKI DL1050XT V-STROM '20-

INSTRUCCIONES DE MONTAJE - MOUNTING INSTRUCTIONS - MONTAGEANLEITUNG

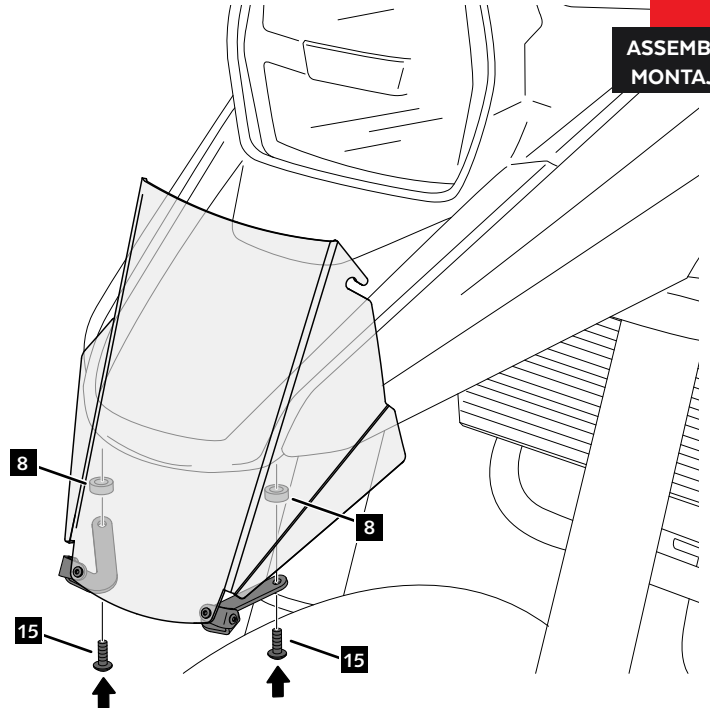
4

ASSEMBLY
MONTAJE



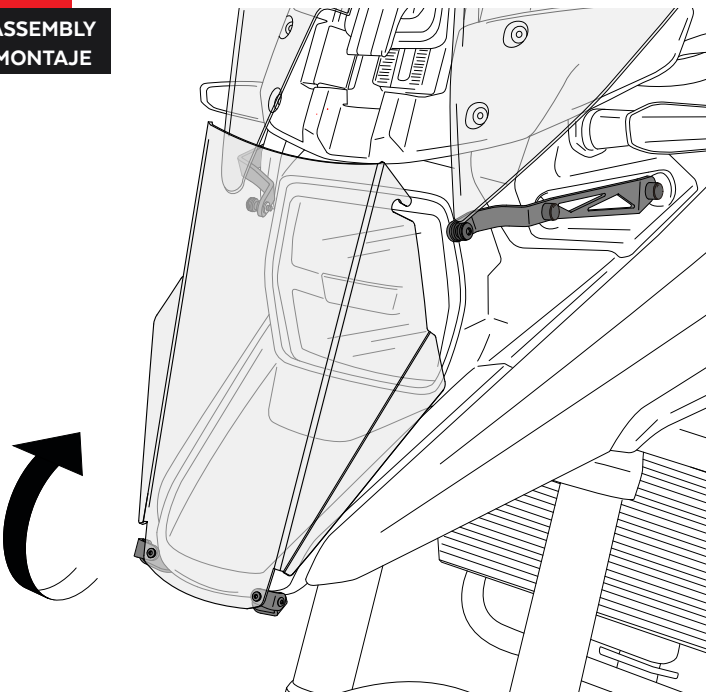
5

ASSEMBLY
MONTAJE



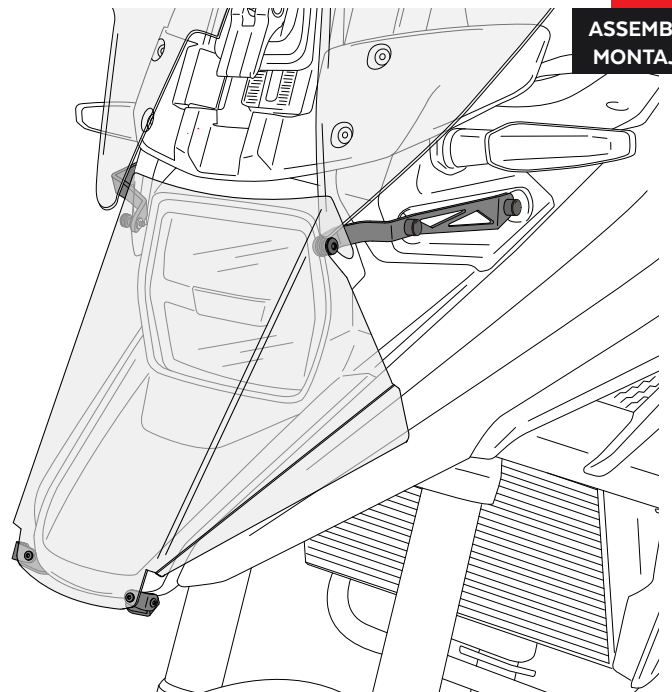
6

ASSEMBLY
MONTAJE



7

ASSEMBLY
MONTAJE



! DO NOT USE THREADLOCKER OR GLUE AS IT MAY PRODUCE CRACKING ON THE HEADLIGHT PROTECTOR