

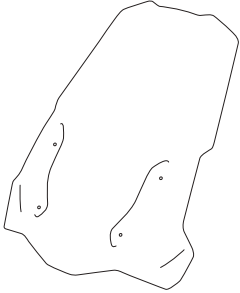







TRIUMPH TIGER 900/GT/GT PRO/GT LOW/RALLY/RALLY PRO '20-

M O U N T I N G I N S T R U C T I O N S

REF 20375

TOURING SCREEN



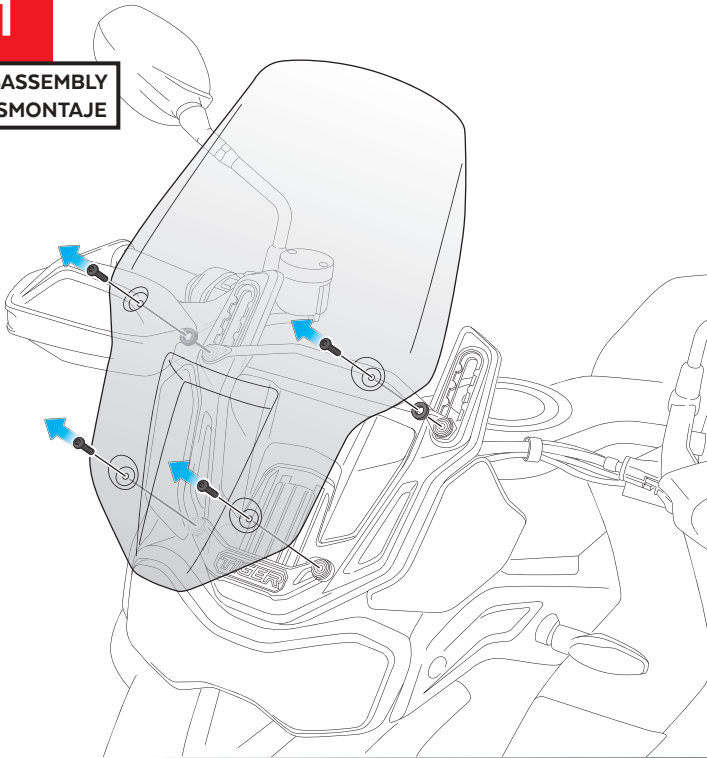
| ID | PIEZA/PART | DESCRIPCIÓN | DESCRIPTION | QTY | REF |
|----|---|--------------------------------------|----------------------------------|-----|-----------------|
| 1 |  | Cúpula Touring | Touring Screen | 1 | 20375F/H/W M3 |
| 2 |  | Soporte metálico | Metal support | 1 | SOPOR1P2--20375 |
| 3 |  | Tornillo Allen M5x16 Ø11 ISO 7380 | M5x16 Ø11 ISO 7380 Allen screw | 4 | TORNI-I7380-493 |
| 4 |  | Tornillo Allen M5x20 Ø11 ISO 7380 | M5x20 Ø11 ISO 7380 Allen screw | 2 | TORNI-I7380-730 |
| 5 |  | Casquillo Ø8,5x Ø14x 6 | Ø8,5x Ø14x 6 Arrowhead | 2 | CASQUI-----208 |
| 6 |  | Casquillo con valona Ø12x Ø6,8 x 7,3 | Ø12x Ø6,8 x 7,3 bush with blange | 4 | CASQUI-1A---750 |
| 7 |  | Silentblock Ø9 xØ6 x8mm | Ø9 xØ6 x8mm silentblock | 4 | AROPASACABLES-3 |
| 8 |  | Tapón tornillo Allen M5 ISO 7380 | M5 ISO 7380 Allen screw cap | 4 | TAPON-----85 |

TRIUMPH TIGER 900/GT/GT PRO/GT LOW/RALLY/RALLY PRO '20-

INSTRUCCIONES DE MONTAJE - MOUNTING INSTRUCTIONS - MONTAGEANLEITUNG

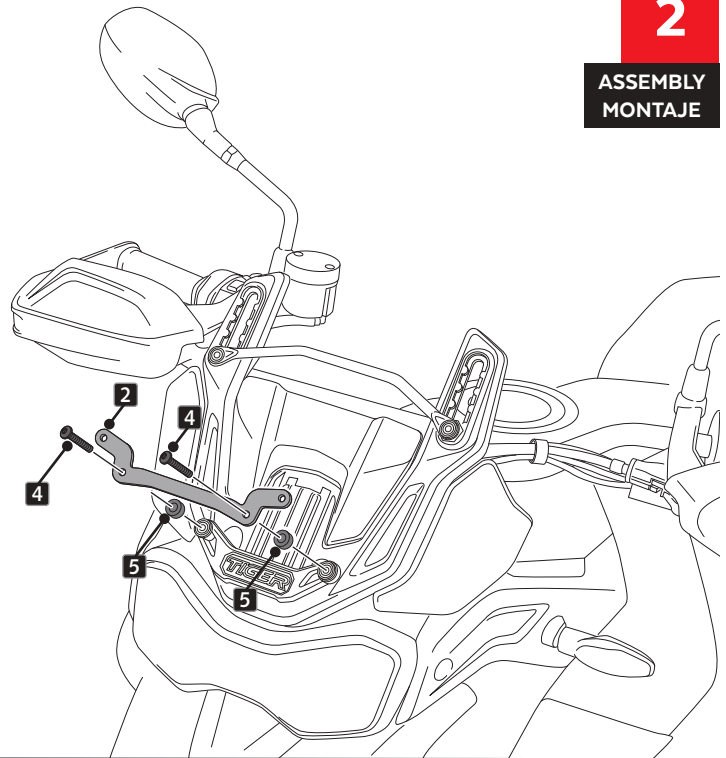
1

**DISASSEMBLY
DESMONTAJE**



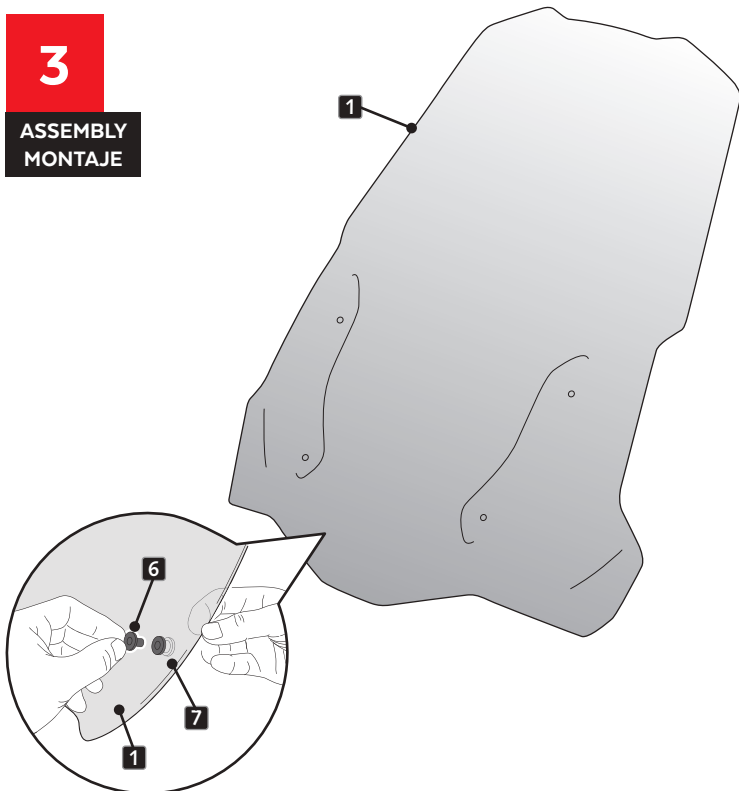
2

**ASSEMBLY
MONTAJE**



3

**ASSEMBLY
MONTAJE**



4

**ASSEMBLY
MONTAJE**

