

# YAMAHA MT-03 '20-

## MOUNTING INSTRUCTIONS

REF 20285

**WINDSHIELD NAKED NEW GENERATION SPORT**



1 Person



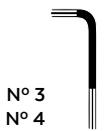
15 min



EASY



ALLEN



N° 3  
N° 4

ID.	PIEZA/PART	DESCRIPCIÓN	DESCRIPTION	QTY.	REF.:
1		Cúpula SPORT	SPORT screen	1	9376HUANHUI/W/F/H/ NM3
2		Soporte	Support	1	SOP1P1----20285
3		Separador de silicona Ø8x2	Ø8x2 silicon adhesive spacer	1	ADHESI-GT-D8---
4		Tapón M6 ISO 7380	M6 ISO 7380 screw cap	2	TAPON-----86
5		Tornillo Allen M6x25 Ø14 ISO7380	M6x25 Ø14 ISO7380 Allen screw	2	TORNI-I7380-405
6		Casquillo Ø8,5xØ13x3,5	Ø8,5xØ13x3,5 Spacer	2	CASQUI-----775
7		Silentblock M5	M5 silentblock	4	SILENBTM5-046/1
8		Arandela de Nylon M5x1	M5x1 nylon washer	4	ARNV0000000245
9		Tornillo allen M5x16 Ø11 ISO 7380	M5x16 Ø11 ISO 7380 allen screw	4	TORNI-I7380-493
10		Tapón tornillo M5 ISO 7380	M5 ISO 7380 screw cap	4	TAPON-----85

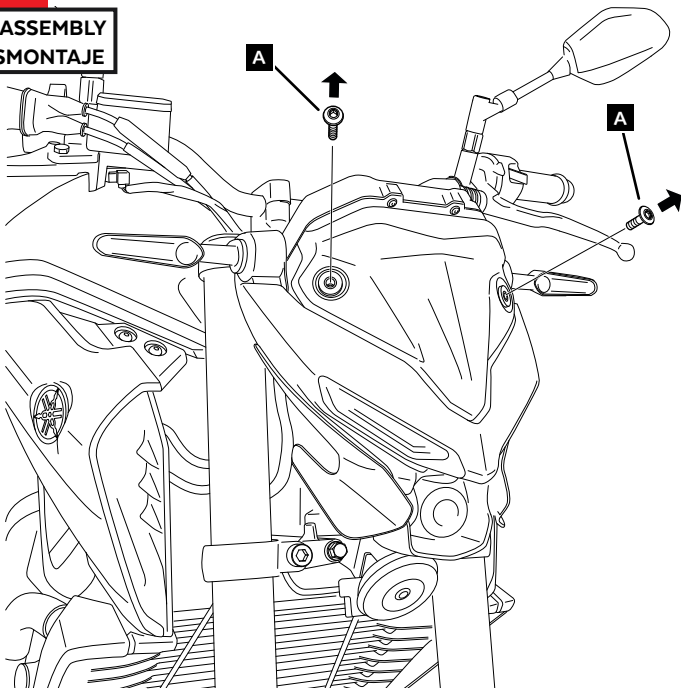
# YAMAHA MT-03 '20-

INSTRUCCIONES DE MONTAJE - MOUNTING INSTRUCTIONS - MONTAGEANLEITUNG

**1**

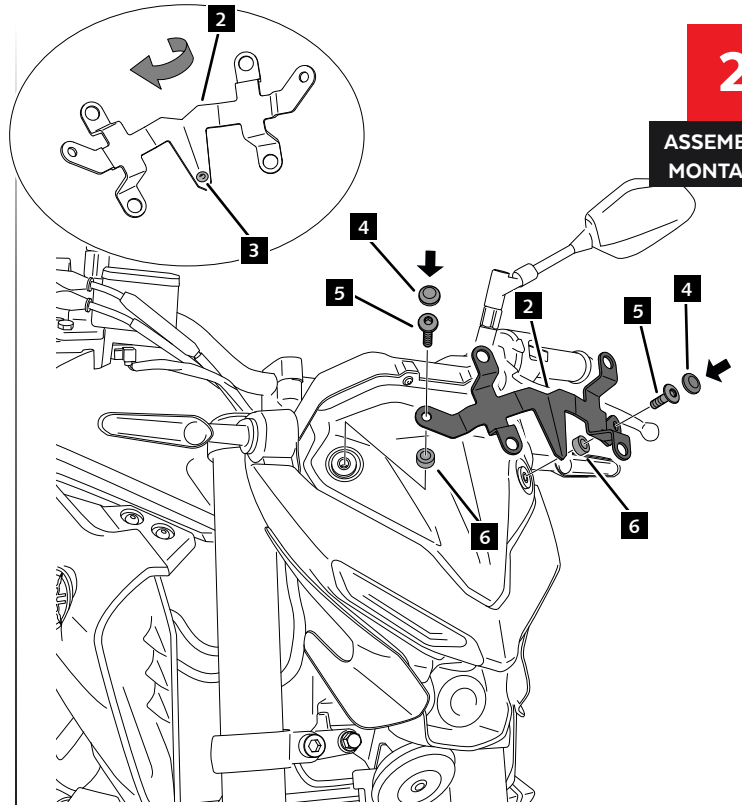
**DISASSEMBLY  
DESMONTAJE**

**A** Tornillería original  
Original screws



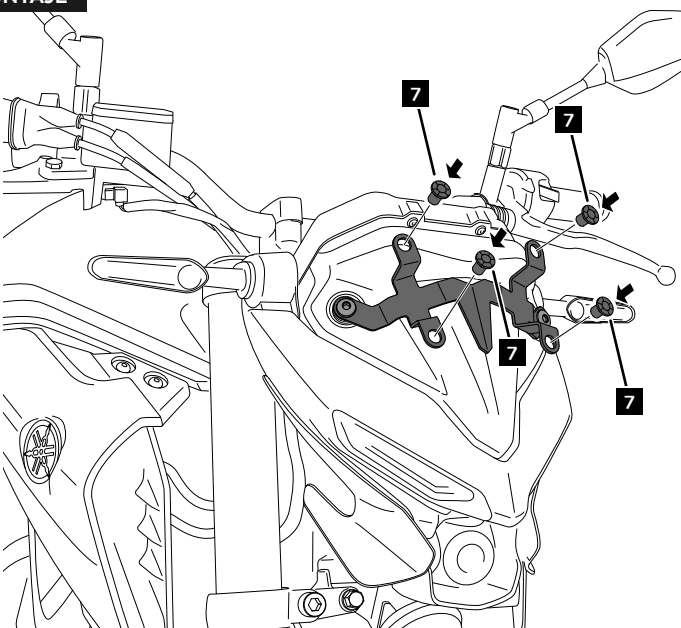
**2**

**ASSEMBLY  
MONTAJE**



**3**

**ASSEMBLY  
MONTAJE**



**4**

**ASSEMBLY  
MONTAJE**

