

DUCATI X-DIAVEL 1200 '16> DUCATI MULTISTRADA 1200S '15> DUCATI
MULTISTRADA 1260 '18> DUCATI MONSTER 1200 /S /R '14> DUCATI
PANIGALE V4 '18> DUCATI PANIGALE V2 '20>

REF 20059N

PROTECTOR BASCULANTE ADAPTABLE A / PROTECTOR SWINGARM ADAPTABLE TO



1 Person



20 min



EASY



| ID. | PIEZA / PART | QTY. | REF.: |
|-----|---|------|-----------------|
| 1 |  | 1 | PROBAS52-1-0052 |
| 2 |  | 1 | PROBAS51-1-0051 |
| 3 |  | 1 | VARIFO26-0-0026 |
| 4 |  | 2 | TUZBM6000000024 |
| 5 |  | 2 | ARANDEPD125-054 |
| 6 |  | 2 | TAPAFINALR17-18 |

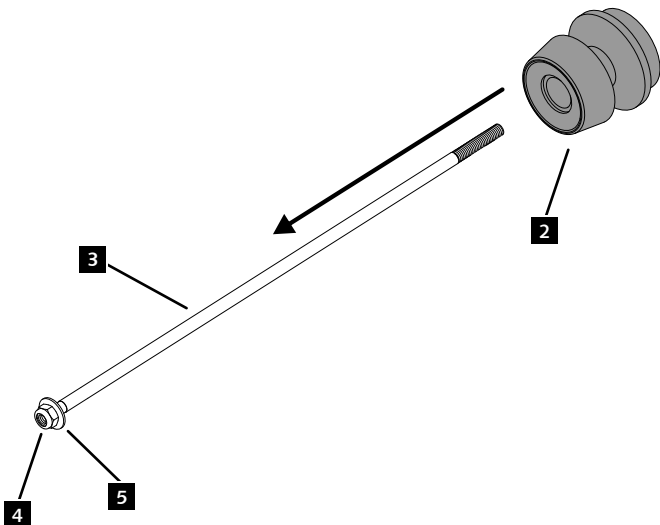
Created by www.ridiseny.com

**DUCATI MONSTER 1200S '17
DUCATI MULTISTRADA 1260 '18
DUCATI PANIGALE V4 '18**

INSTRUCCIONES DE MONTAJE - MOUNTING INSTRUCTIONS - MONTAGEANLEITUNG

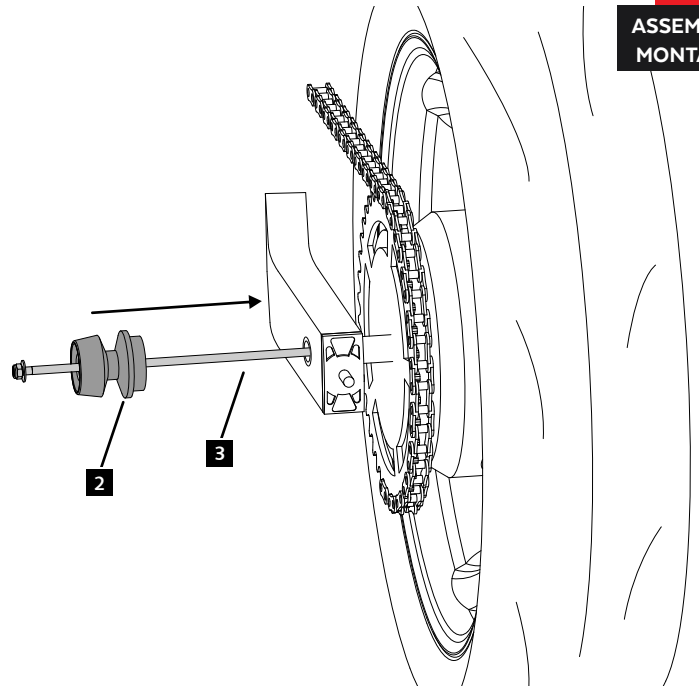
1

**ASSEMBLY
MONTAJE**



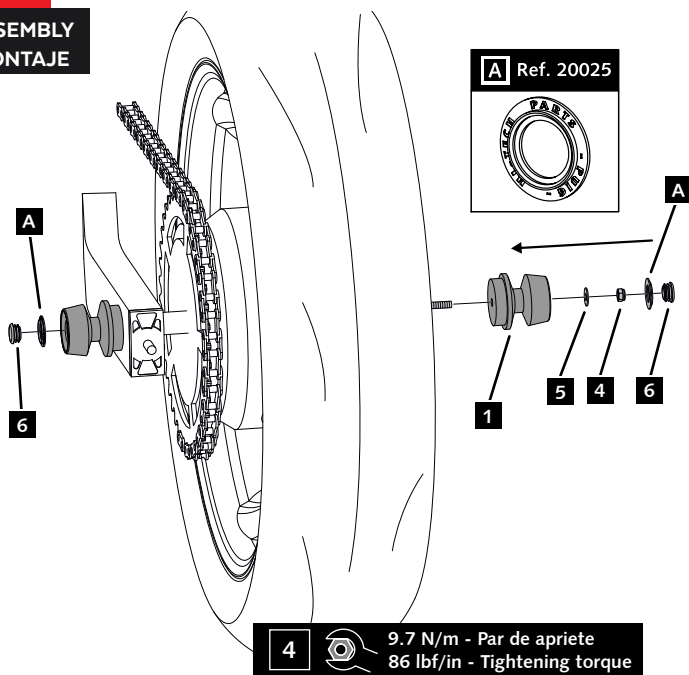
2

**ASSEMBLY
MONTAJE**

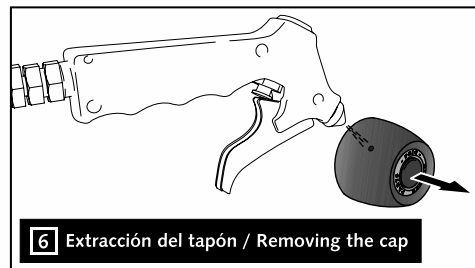


3

**ASSEMBLY
MONTAJE**



CONSULTAR EN NUESTRA PAGINA WEB LA
DISPONIBILIDAD DEL VIDEO DE MONTAJE DE
ESTA REFERENCIA.
CONSULT OUR WEBSITE THE VIDEO MOUNT
AVAILABILITY OF THIS REFERENCE.



6 Extracción del tapón / Removing the cap