

**HARLEY DAVIDSON SPORTSTER  
CUSTOM (XL1200C) '04- / 883 IRON (XL883N) '09- /  
883R (XL883R) '02- / NIGHTSER (XL1200N) '08- / SUPERLOW (XL883L) '11-**

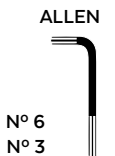
**M O U N T I N G I N S T R U C T I O N S**

REF 1351

**ABS  
FRONT PLATE**

REF 1352

**ALUMINUM  
FRONT PLATE**



ID.	PIEZA / PART	DESCRIPCIÓN	DESCRIPTION	QTY.	REF.:
1		Placa frontal ABS	ABS front plate	1	10526J/C
		Placa frontal ALUMINIO	ALUMINUM front plate		9807P/N
2		Soporte metálico derecho	Right metal support	1	SOPOR2P3-R-1352
3		Soporte metálico izquierdo	Left metal support	1	SOPOR2P3-L-1352
4		Silentblock M5	M5 silentblock	2	SILENBTM5-046/1
5		Tornillo allen M5x16 Ø11 ISO7380	M5x16 Ø 11 ISO7380 allen screw	2	TORNI-I7380-493
6		Tornillo allen M5x16 Ø11 ISO 7380 (INOX)	M5x16 Ø11 ISO 7380 allen screw (INOX)	2	TORNI-IA----423
7		Arandela nylon M5x1	M5x1 nylon washer	2	ARNV0000000245
8		Tapón tornillo M5 ISO7380	M5 ISO7380 allen screw cap	2	TAPON-----85
9		Tornillo M8x25 DIN912	M8x25 DIN912 screw	2	TORNI-D912--241
10		Casquillo Ø13xØ8,5x6	Ø13xØ8,5x6 arrowhead	2	CASQUI-----776
11		Separador de silicona Ø8x2 (Se suministra montado en ID2 y ID3)	Ø8x2 mm silicone tear (Supplied already mounted on item ID2 & ID3)	4	ADHESI-GT-D8---
12		Ribete autoadhesivo longitud de 190mm 6,2mmx2,6mm	Selft-autoadhesive trim lenght 190mm 6,2x2,6mm	4	PERFIL-PVC-1048
13		Kit adhesivos <a href="https://www.youtube.com/watch?v=lxEcdLZ58qg">https://www.youtube.com/watch?v=lxEcdLZ58qg</a>	Stickers set <a href="https://www.youtube.com/watch?v=lxEcdLZ58qg">https://www.youtube.com/watch?v=lxEcdLZ58qg</a>	1	10535

**HARLEY DAVIDSON SPORTSTER  
CUSTOM (XL1200C) '04- / 883 IRON (XL883N) '09- /  
883R (XL883R) '02- / NIGHTSER (XL1200N) '08- / SUPERLOW (XL883L) '11-**

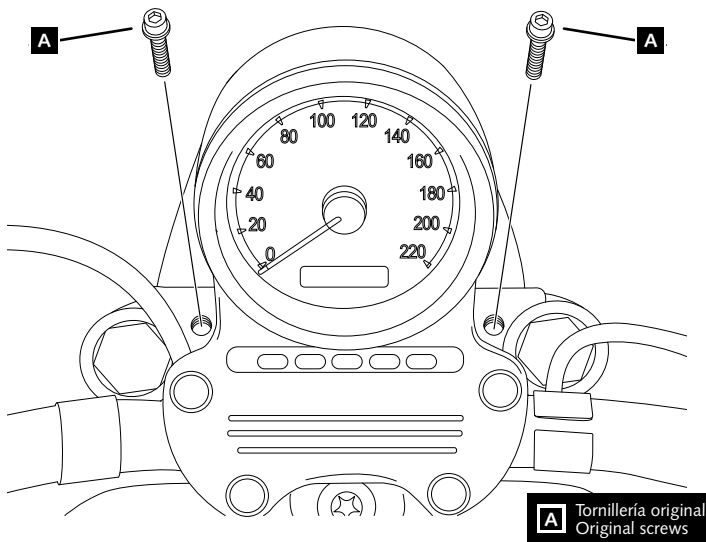
**INSTRUCCIONES DE MONTAJE - MOUNTING INSTRUCTIONS - MONTAGEANLEITUNG**

**1**

**DISASSEMBLY  
DESMONTAJE**



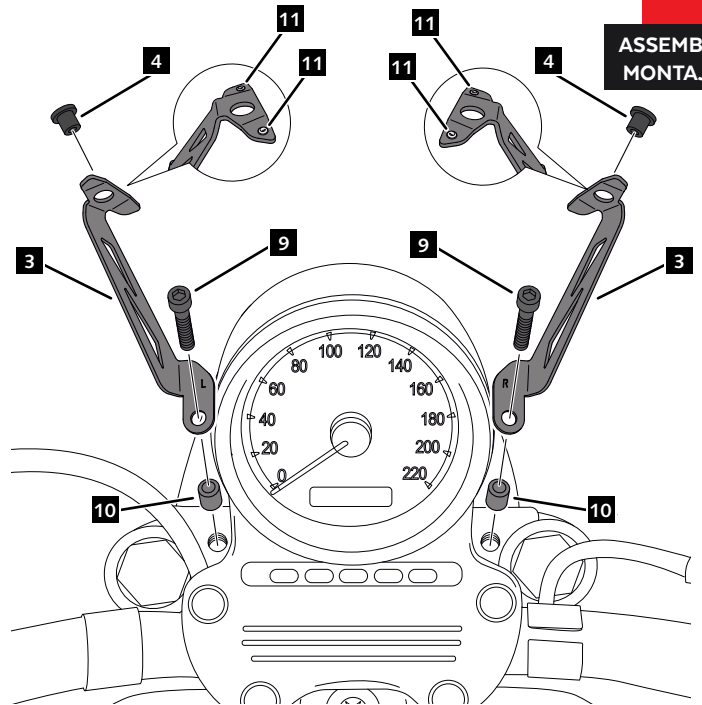
**NO EXTRAER LOS TORNILLOS A LA VEZ-  
DO NOT REMOVE THE SCREWS AT THE SAME TIME**



**A** Tornillería original  
Original screws

**2**

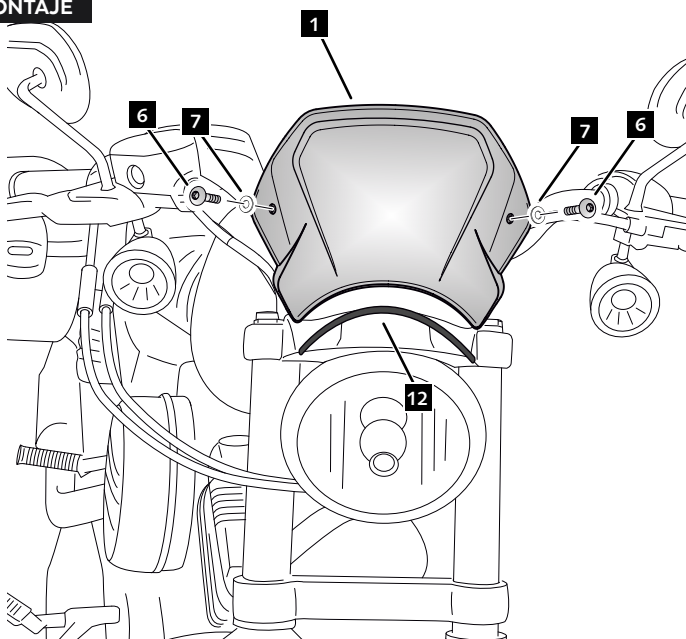
**ASSEMBLY  
MONTAJE**



**3**

**ALUMINUM**

**ASSEMBLY  
MONTAJE**



**ABS**

