

Drawn
Deport1
Checked
CaronLa

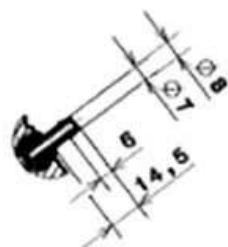


**MASTER CYLINDER KIT
15x18/20**

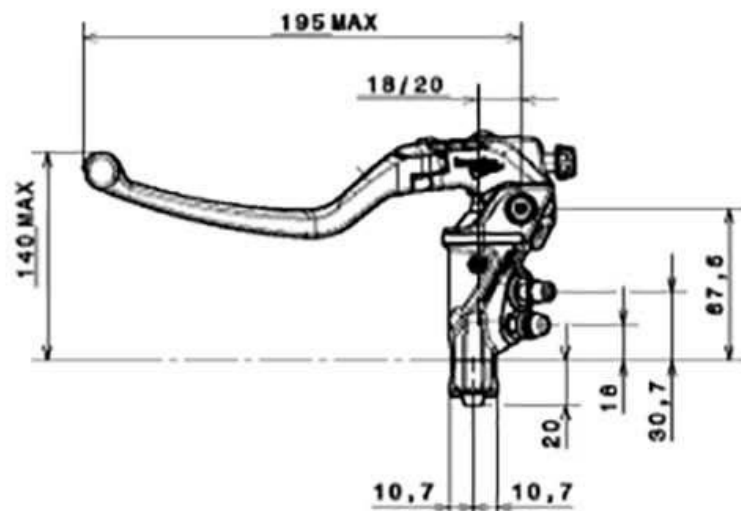
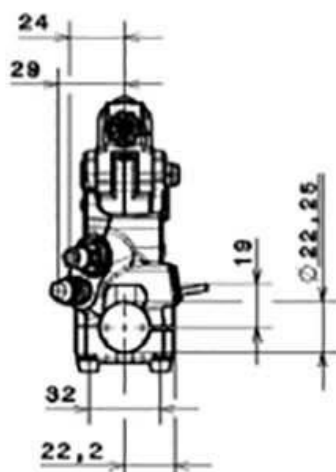
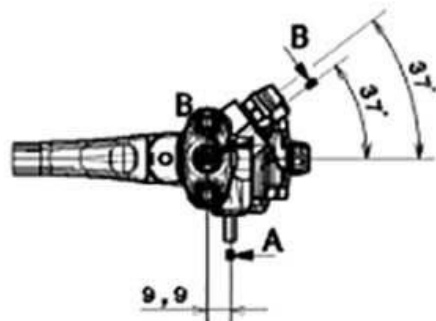
110.C740.50

Date 30.09.24

B-B



A-A



ITEMS INSIDE THE KIT

DESCRIPTION

QTY

M/C PR 15x18/20

1

WASHER

2

BANJO BOLT

1

INSTRUCTION SHEET 1

1

INSTRUCTION SHEET 2

1

BREMBO SMALL STICKER

2

SPARE PARTS

P/N	DESCRIPTION
110.C740.88	CLAMP
110.C740.07	LEVER PIN
110.C740.94	LEVER
110.3127.10	PIPE FITTING
105.3387.63	BLEEDER SCREW
110.C740.95	COMPLETE LEVER
110.C740.89	STICKER - COVER

DRAWING
CHANGES

A

B

C

D

E

F

G

H

I

J

K

L

M

N

O

P

Q

R

S

T

U

V

W

X

Y

Z

AA

AB

AC

AD

AE

AF

AG

AH

AI

AJ

AK

AL

AM

AN

AO

AP

AQ

AR

AS

AT

AU

AV

AW

AX

AY

AZ

BA

BB